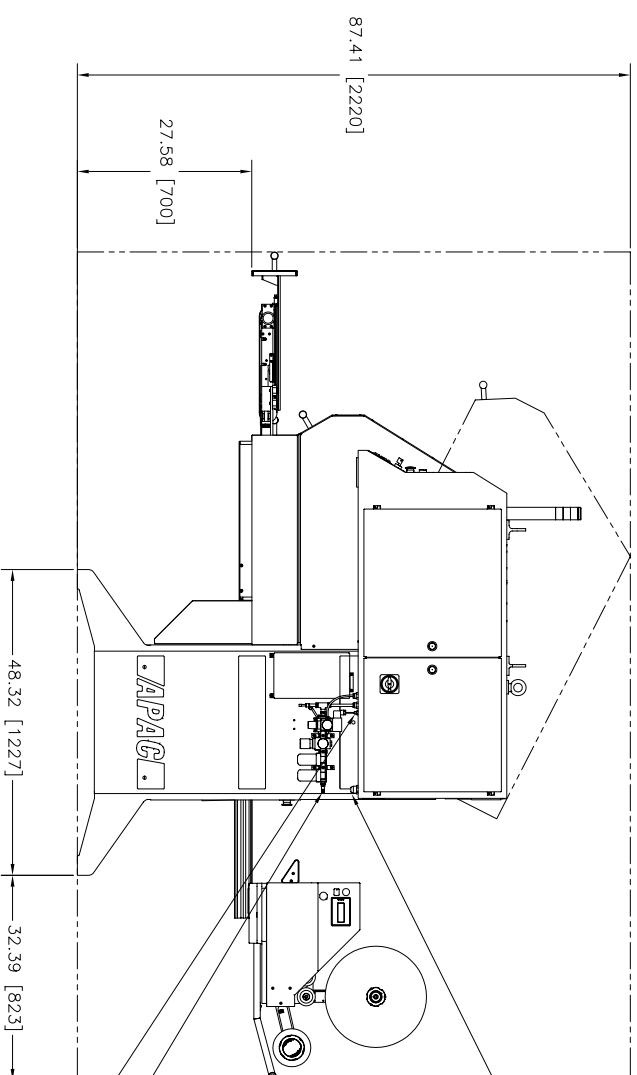
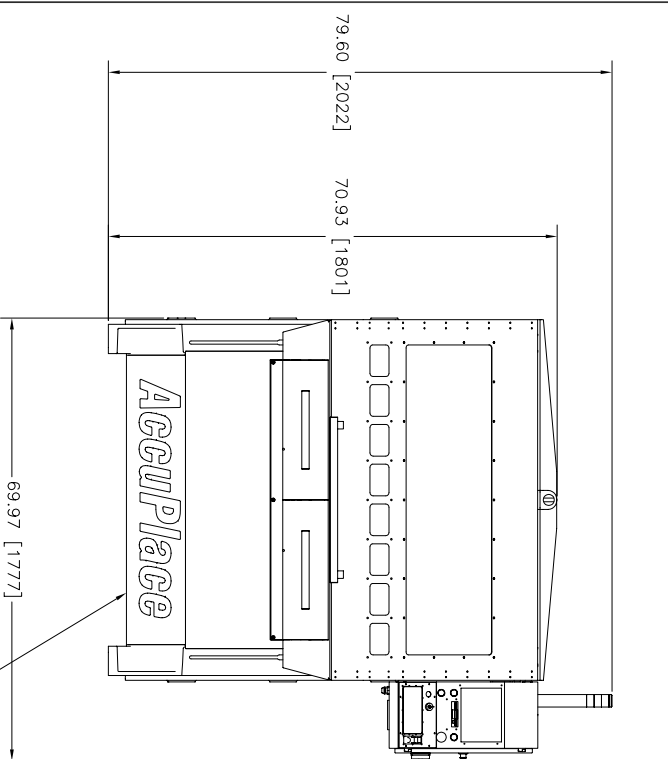
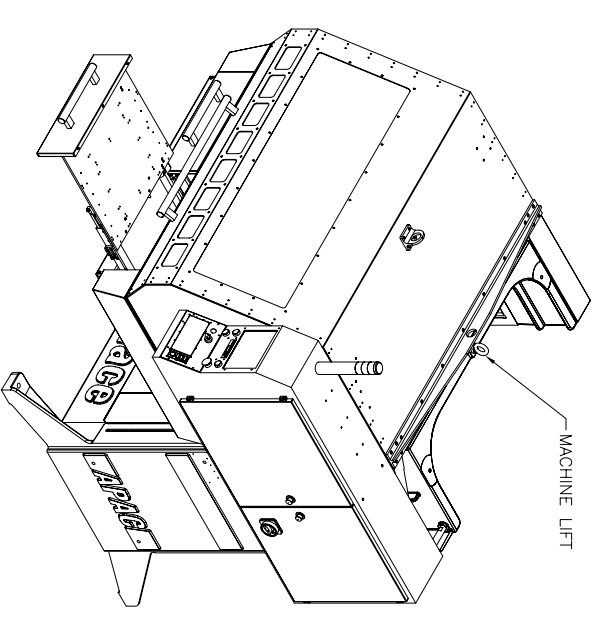
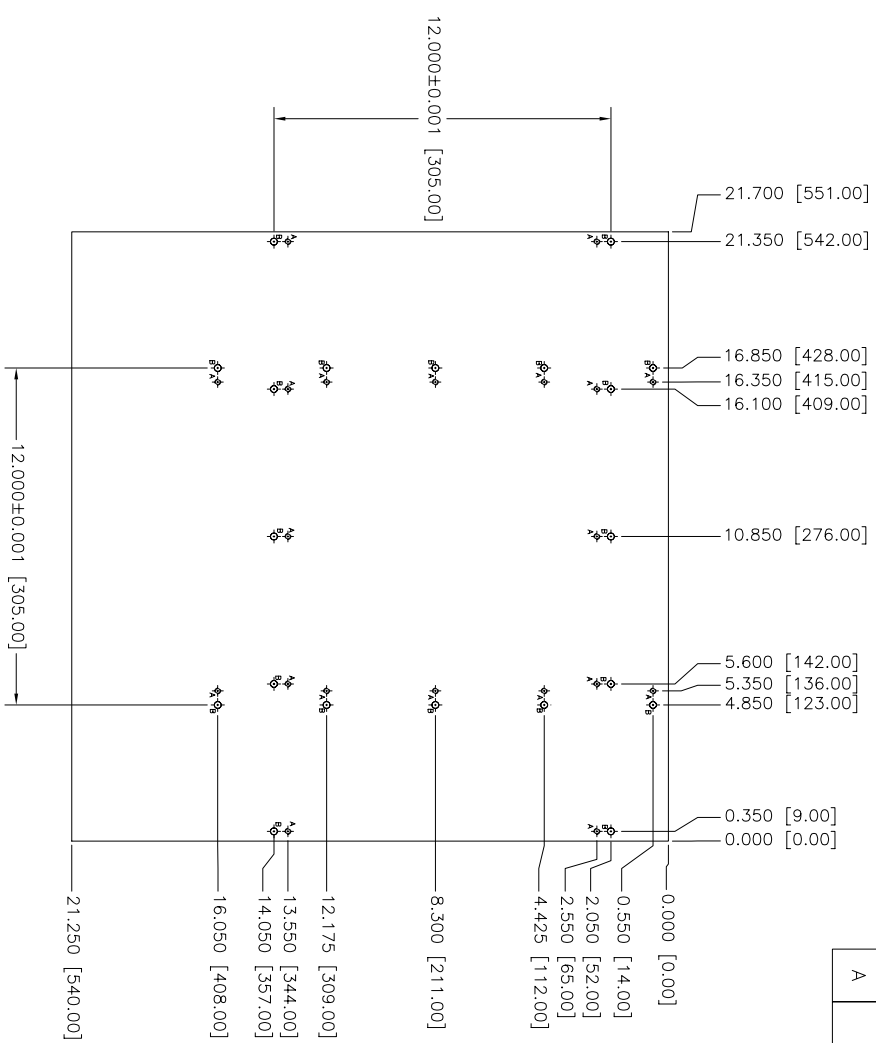
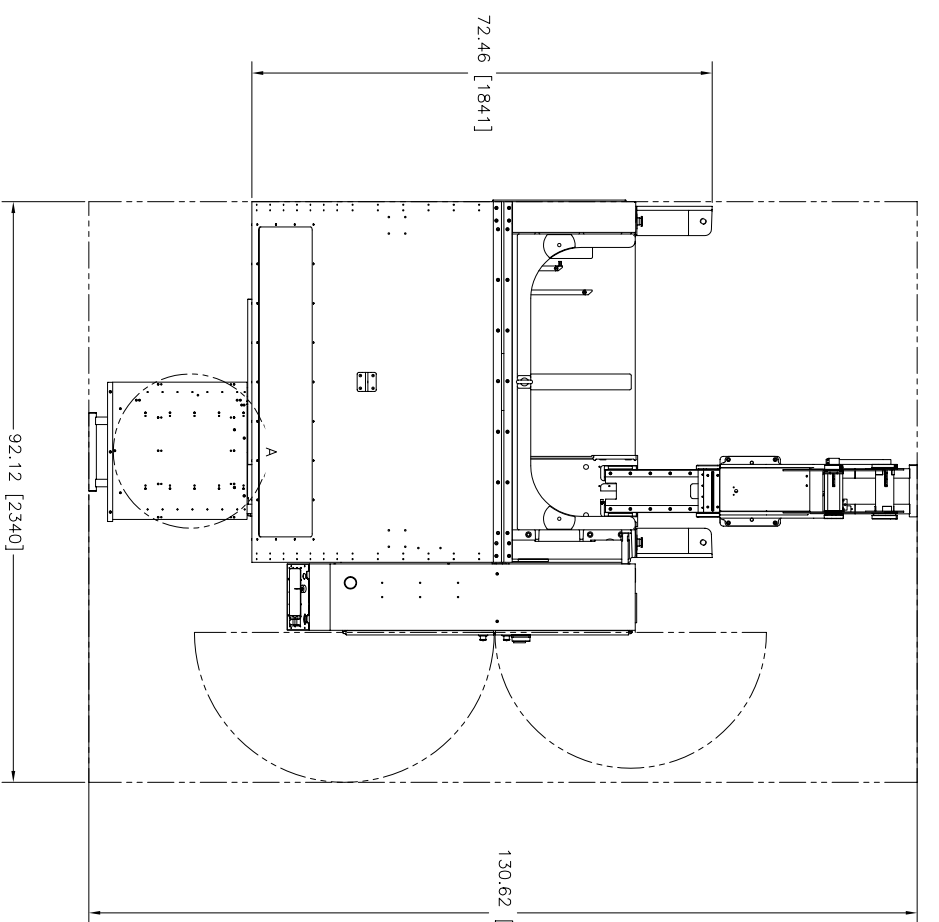


REV.	NOTES	DATE	APPROVAL
A	INITIAL RELEASE		



NOTE:  
SEE TABLE FOR TOOLING HOLE DETAILS IN DETAIL A

HOLE INDEX	
A	M4 x 0.7 THRU
B	Ø2.98 x 0.27 DP.

FORKLIFT/PALLET JACK ACCESS

DESCRIPTION: APAC with Dual Tray Shuttle Option		PART NO:
MATERIAL: N/A	FINISH: N/A	
USED ON: QTY.		
SHEET 1 OF 1		
DRAWN BY: Freddy Molina	DATE 04/24/03	TOLERANCES UNLESS OTHERWISE SPECIFIED
DESIGNED BY: Freddy Molina	DATE 04/24/03	±0.010
APPROVED BY:	DATE	±0.005
		± 0.3°

DO NOT SCALE DRAWING

THIRD ANGLE PROJECTION

UNITS: INCHES

COMMERCIAL-ROBOTIC SYSTEMS INC. AND SHALL NOT BE USED OR REPRODUCED IN WHOLE OR IN PART WITHOUT THE WRITTEN CONSENT OF AUTOMATIC MANUFACTURING SYSTEMS INC.