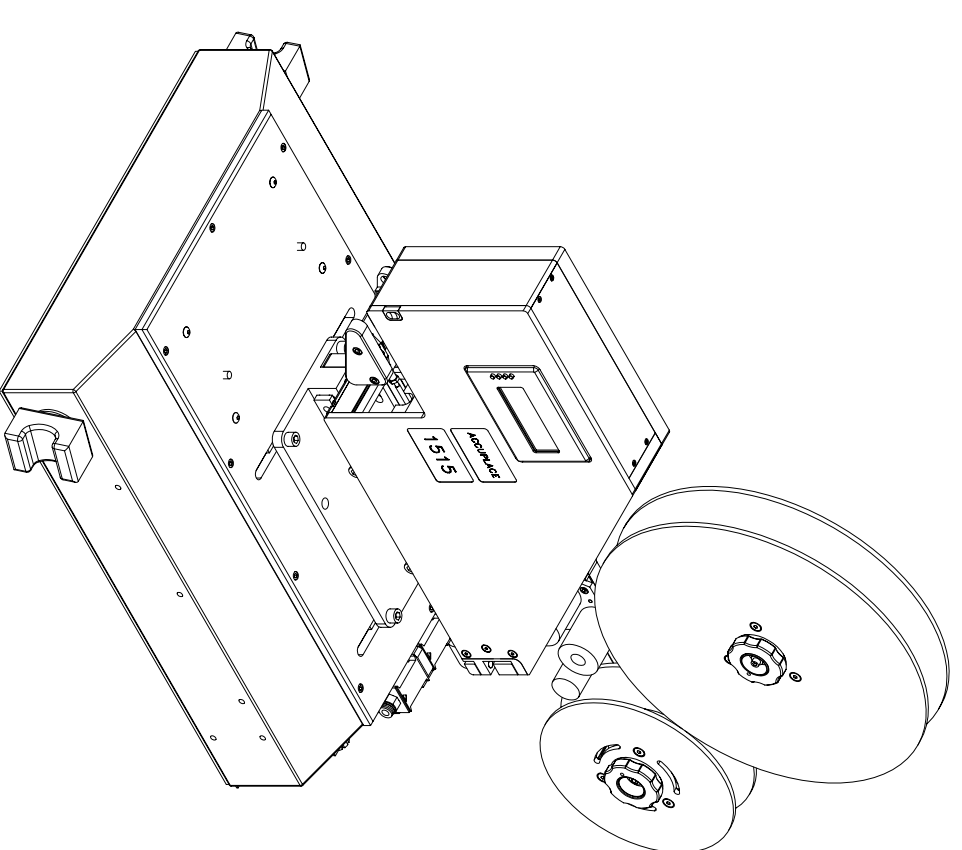
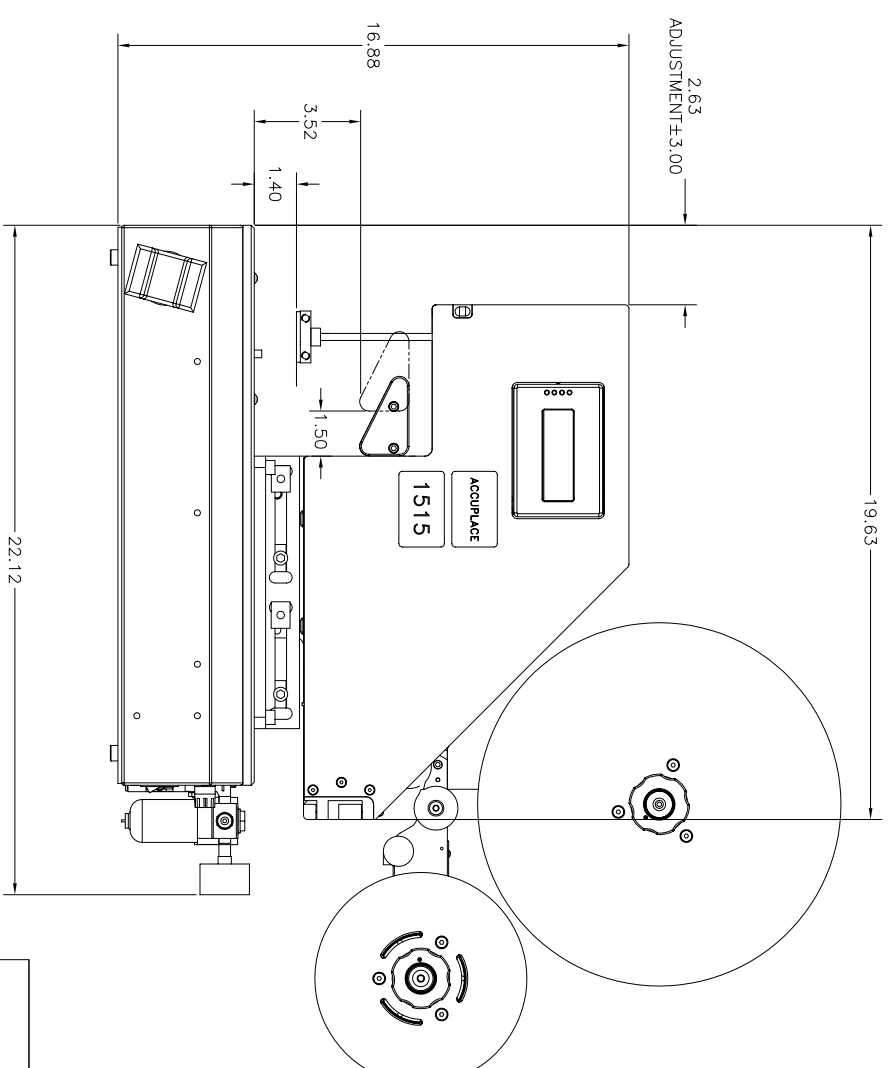
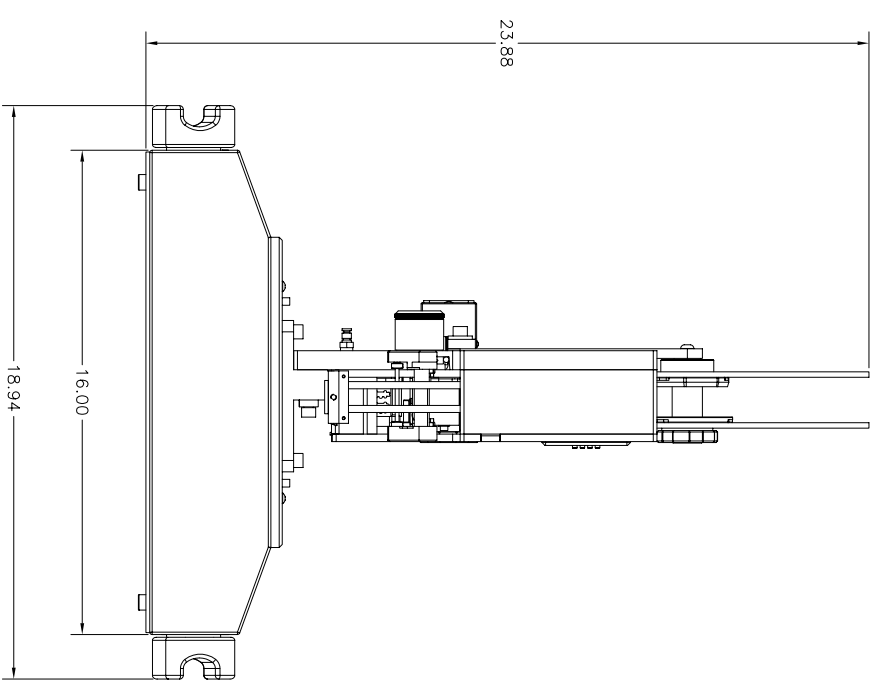
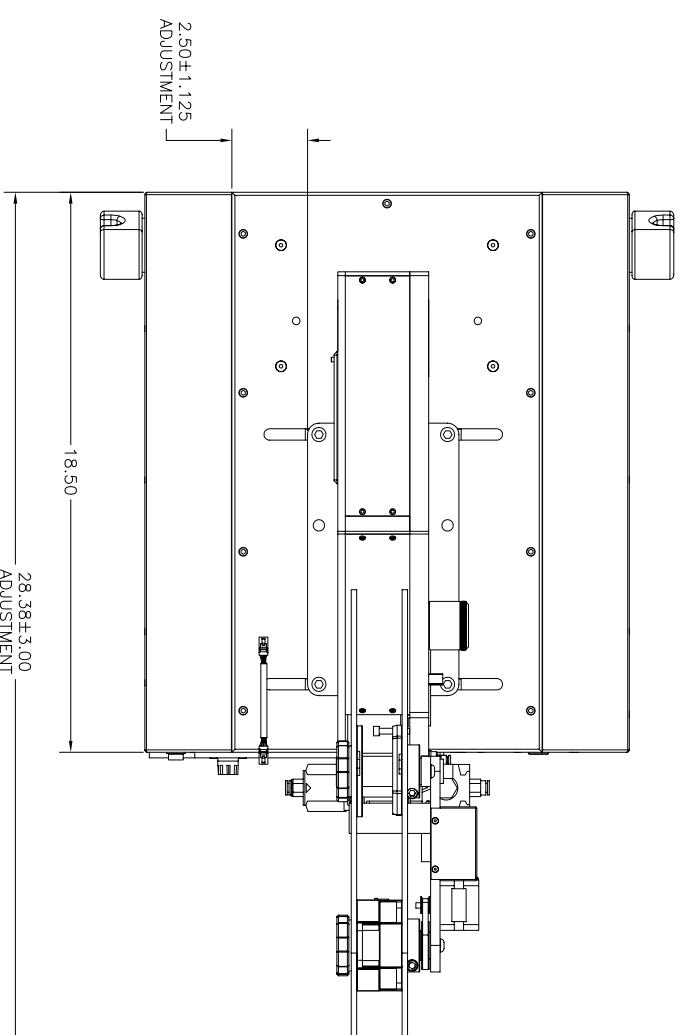


REV.	NOTES	DATE	APPROVAL
A	INITIAL RELEASE		



DESCRIPTION: AccuPlace 1515 Option 1		PART NO:	
MATERIAL: N/A	FINISH: N/A	THIRD ANGLE PROJECTION	
USED ON: SHEET 1 OF 1	QTY. 1	TOLERANCES UNLESS OTHERWISE SPECIFIED	
0.02 BREAK ON ALL SHARP EDGES UNLESS OTHERWISE SPECIFIED	DRAWN BY: FREDDY MOLINA	DATE: 12/02/03	
DESIGNED BY: FREDDY MOLINA	DATE: 12/02/03	APPROVED BY: DATE	

DO NOT SCALE DRAWING	HOLE DIA. ± 0.005	ANGULAR ± 0.3°	UNITS: INCHES
----------------------	----------------------	-------------------	---------------

GENERAL INFORMATION:  
 THE INFORMATION IN THIS DOCUMENT IS PROPRIETARY TO AUTOMATIC MANUFACTURING SYSTEMS INC. AND SHALL NOT BE USED OR DISCLOSED IN WHOLE OR IN PART WITHOUT THE WRITTEN CONSENT OF AUTOMATIC MANUFACTURING SYSTEMS INC.