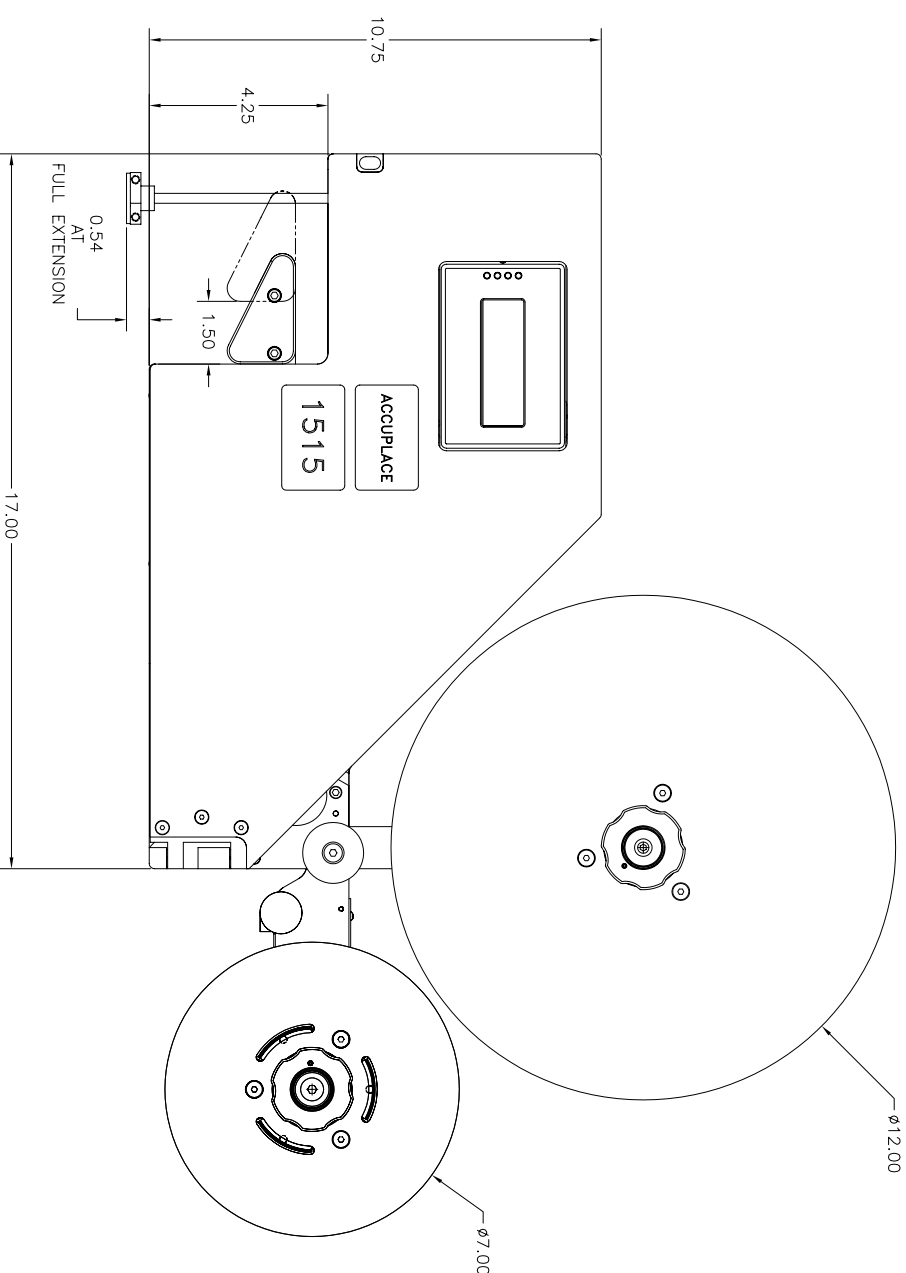
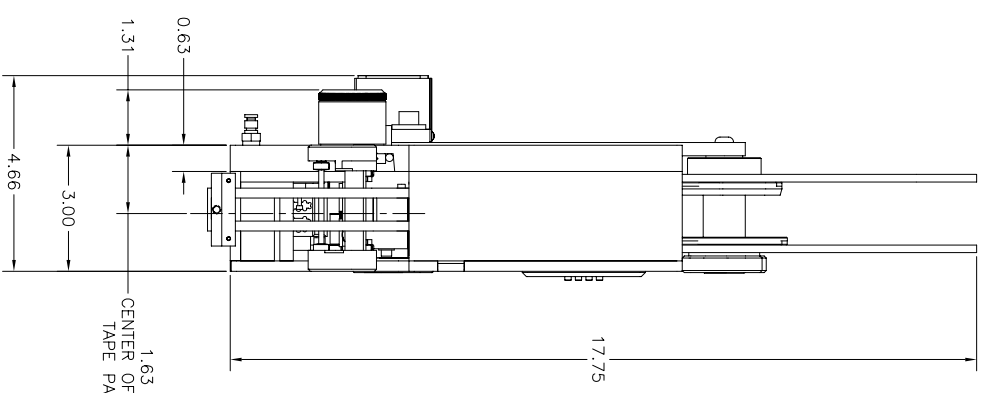
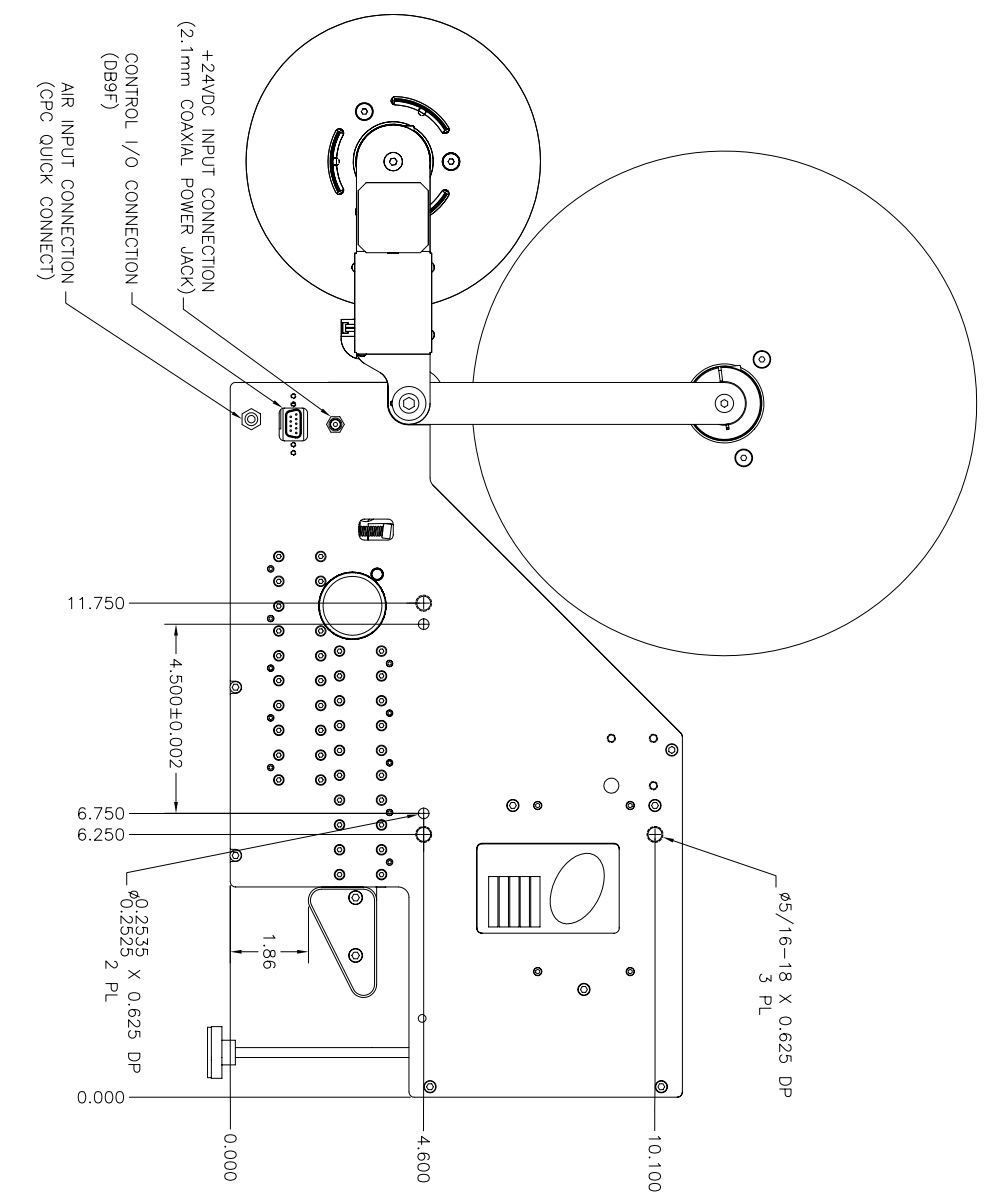
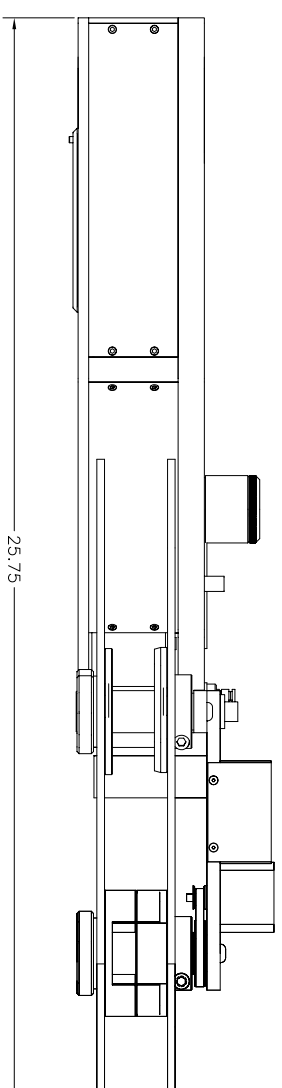
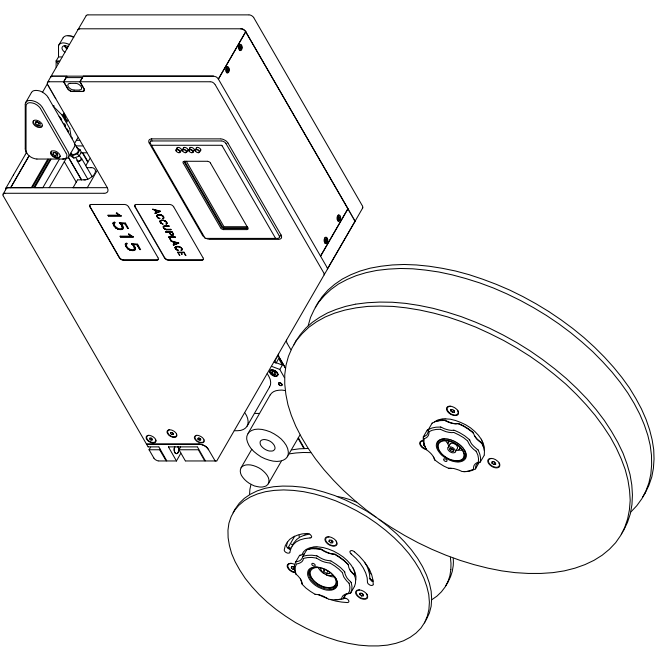


REV.	NOTES	DATE	APPROVAL
A	INITIAL RELEASE		



DESCRIPTION: AccuPlace 1515 Flangeless with Rewind Specification Drawing

PART NO:

USED ON:	QTY.	MATERIAL:	FINISH:	THIRD ANGLE PROJECTION
SHEET 1 OF 1	1	N/A	N/A	
DRAWN BY:	DATE	TOLERANCES UNLESS OTHERWISE SPECIFIED	UNITS: INCHES	
Freddy Molina	04/15/03	±0.010 ±0.005 ±0.0005		
DESIGNED BY:	DATE	HOLE DIA.	ANGULAR	
Freddy Molina	04/15/03	± 0.005	± 0.3°	
APPROVED BY:	DATE			

0.02 BREAK ON ALL SHARP EDGES UNLESS OTHERWISE SPECIFIED
 DO NOT SCALE DRAWING
 CONFECTIONAL-PROPERETARY SYSTEMS INC. AND SHALL NOT BE USED OR DISCUSSED IN WHOLE OR IN PART WITHOUT THE WRITTEN CONSENT OF AUTOMATIC MANUFACTURING SYSTEMS INC.