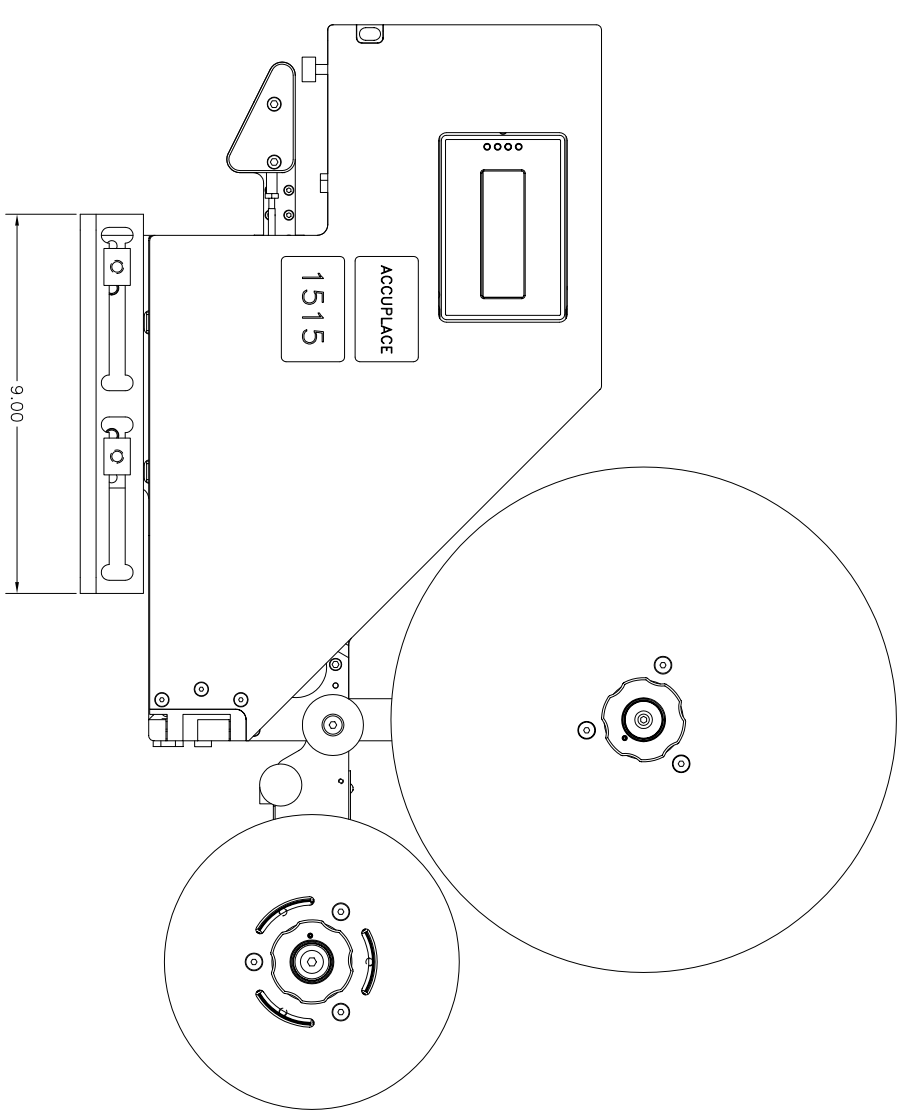
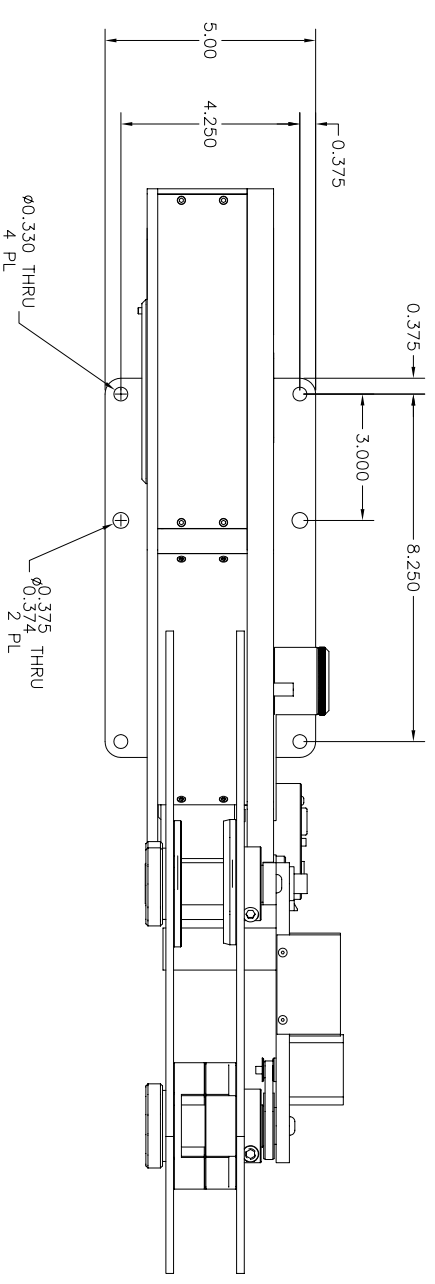
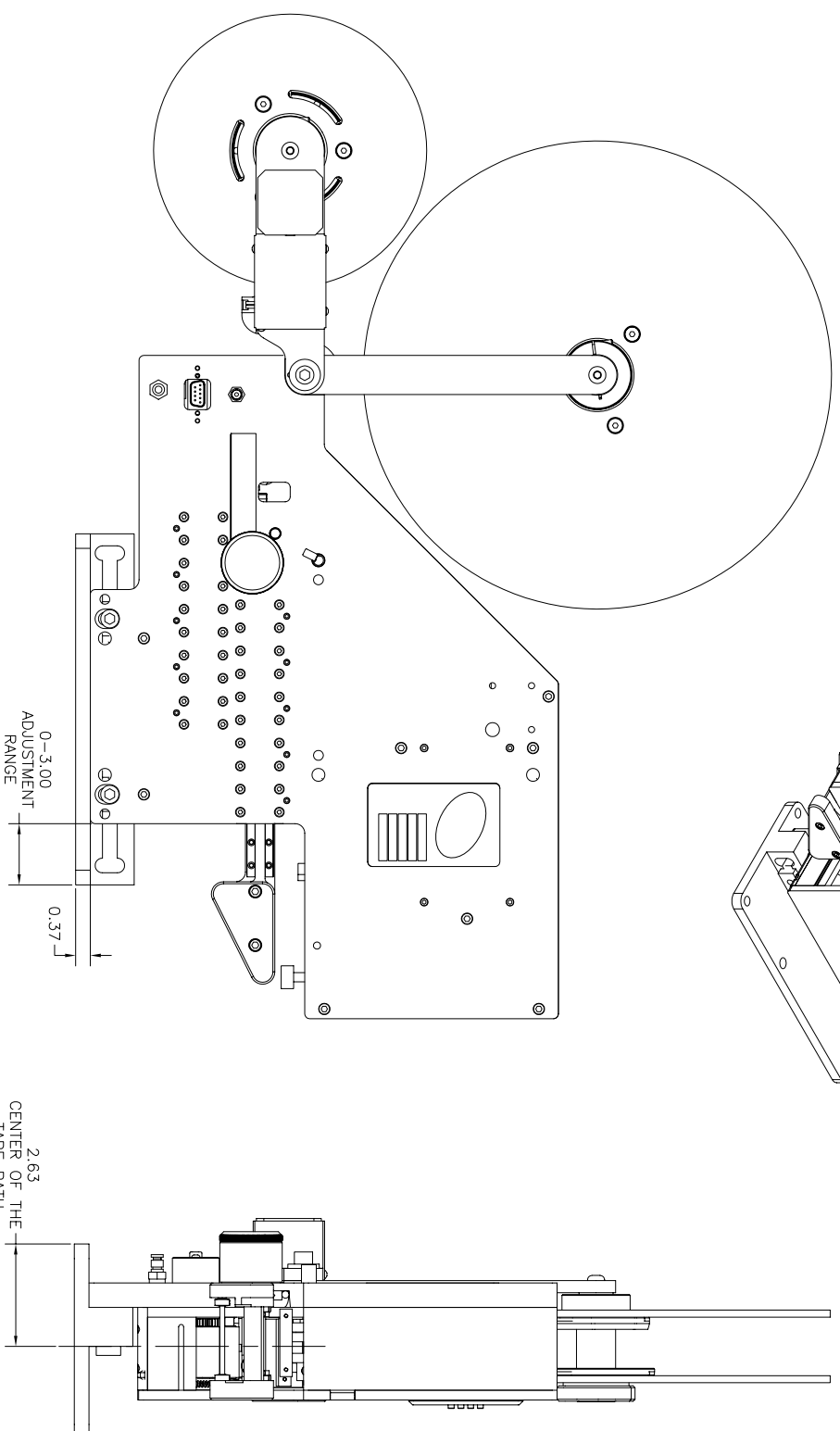
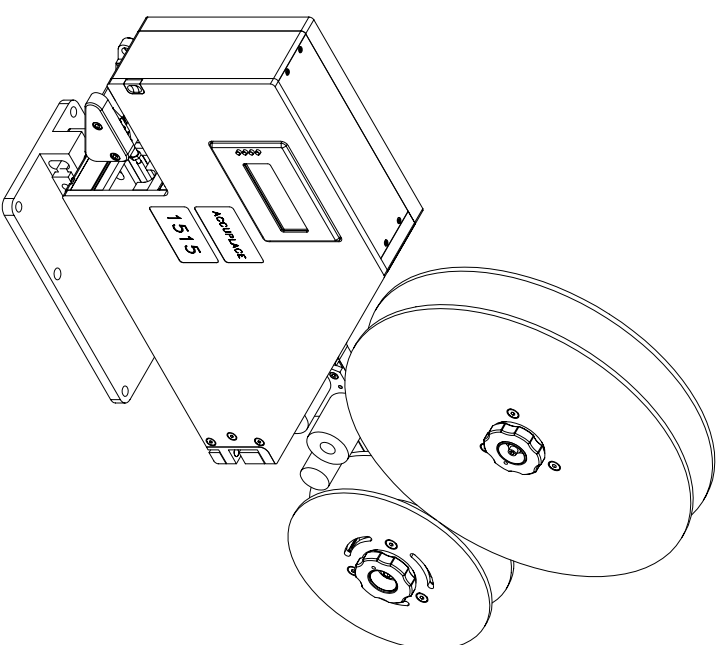



REV.	NOTES	DATE	APPROVAL
A	INITIAL RELEASE		



DESCRIPTION: AccuPlace 1515 with Rewind and Mounting Foot		PART NO:	
MATERIAL: N/A	FINISH: N/A	THIRD ANGLE PROJECTION	
USED ON: QTY. SHEET 1 OF 1	DATE 05/01/03	UNITS: INCHES	
0.02 BREAK ON ALL SHARP EDGES UNLESS OTHERWISE SPECIFIED	DESIGNED BY: Freddy Molina	TOLERANCES UNLESS OTHERWISE SPECIFIED ±0.010 ±0.005 ±0.0005	<small>COMMERCIAL-ROBERTLARK SYSTEMS INC. AND SHALL NOT BE USED OR DISCLOSED IN WHOLE OR IN PART WITHOUT THE WRITTEN CONSENT OF AUTOMATIC MANUFACTURING SYSTEMS INC.</small>
DO NOT SCALE DRAWING	APPROVED BY: DATE	HOLE DIA. ± 0.005	
	ANGULAR ± 0.3°		