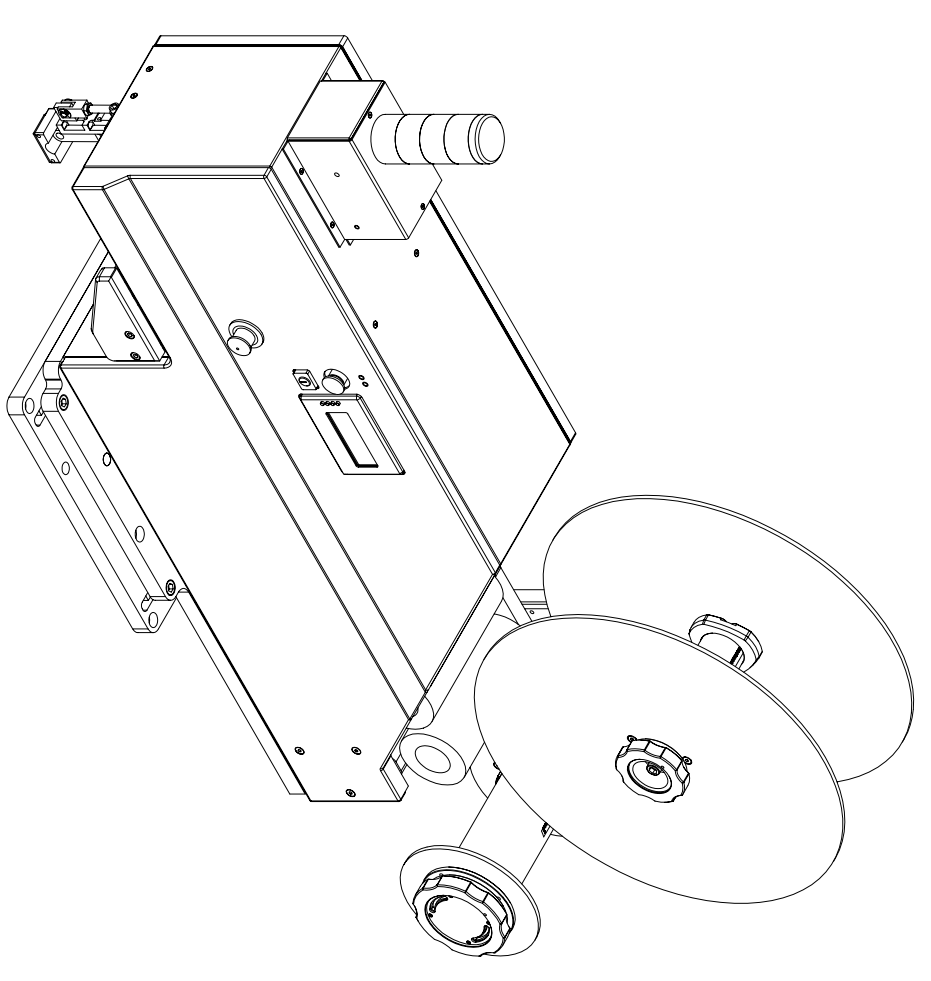
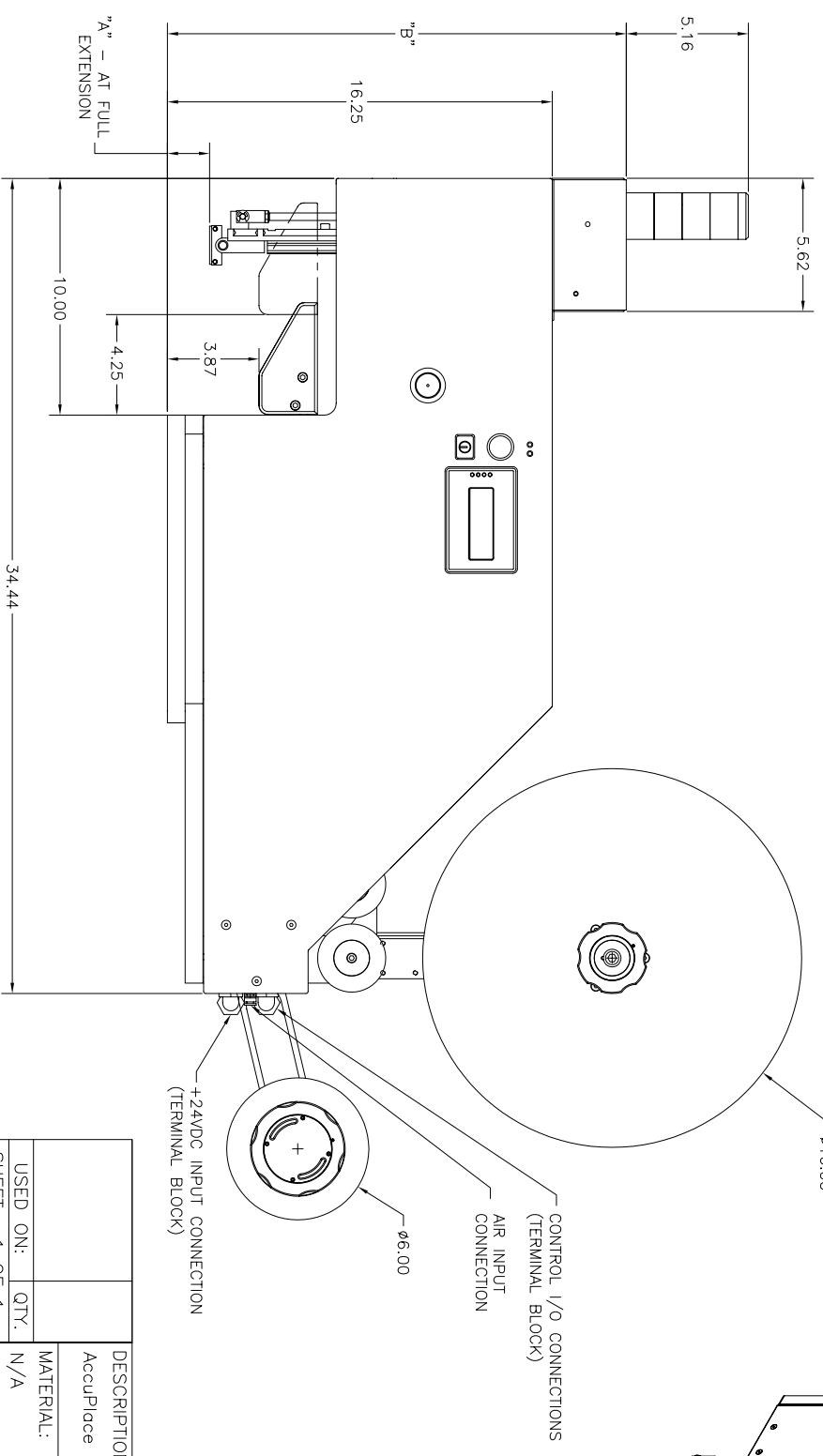
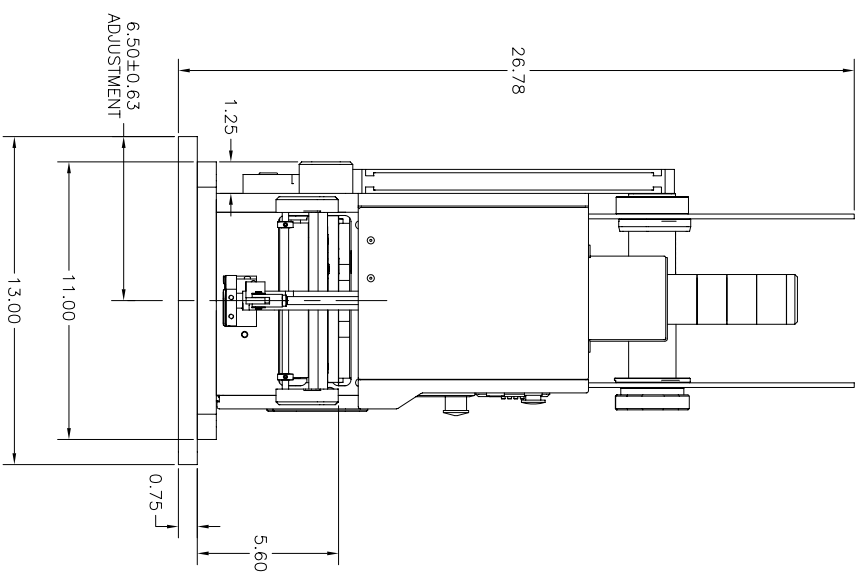
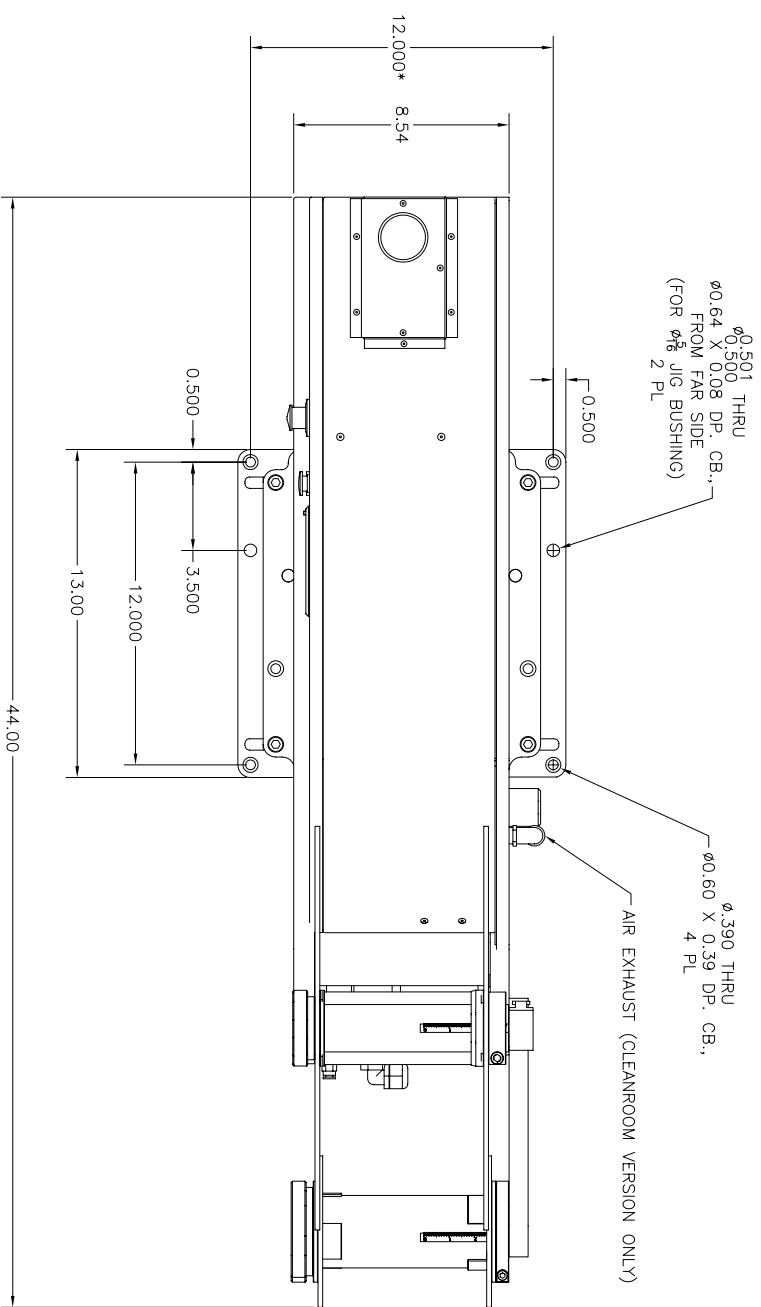


REV.	NOTES	DATE	APPROVAL
A	INITIAL RELEASE		



STROKE	DIMENSION A	DIMENSION B
5 INCH	(-1.88)	19.37
8 INCH	1.12	26.87
12 INCH	5.12	26.87
20 INCH	13.12	38.87

NOTES:
 -SEE TABLE FOR STROKE DIMENSION DETAILS.
 -*LOCATING HOLE POSITIONS HELD TO ± 0.001

DESCRIPTION: AccuPlace 4065 with Rewind and Status Light Specification Drawing		PART NO:	
USED ON:	QTY.	MATERIAL:	FINISH:
SHEET 1 OF 1	1	N/A	N/A
0.02 BREAK ON ALL SHARP EDGES UNLESS OTHERWISE SPECIFIED	DATE	DESIGNED BY:	DATE
	04/18/03	Freddy Molina	04/18/03
DO NOT SCALE DRAWING	DATE	APPROVED BY:	DATE
TOLERANCES UNLESS OTHERWISE SPECIFIED		THIRD ANGLE PROJECTION	
X.XX	± 0.010		
X.XXX	± 0.005		
X.XXXX	± 0.0005		
HOLE DIA. ± 0.005		UNITS: INCHES	
ANGULAR $\pm 0.3^\circ$			

COMMERCIAL-PROPRIETARY
 SYSTEMS INC. AND SHALL NOT BE USED OR DISCUSSED IN WHOLE OR IN PART
 WITHOUT THE WRITTEN CONSENT OF AUTOMATIC MANUFACTURING SYSTEMS INC.