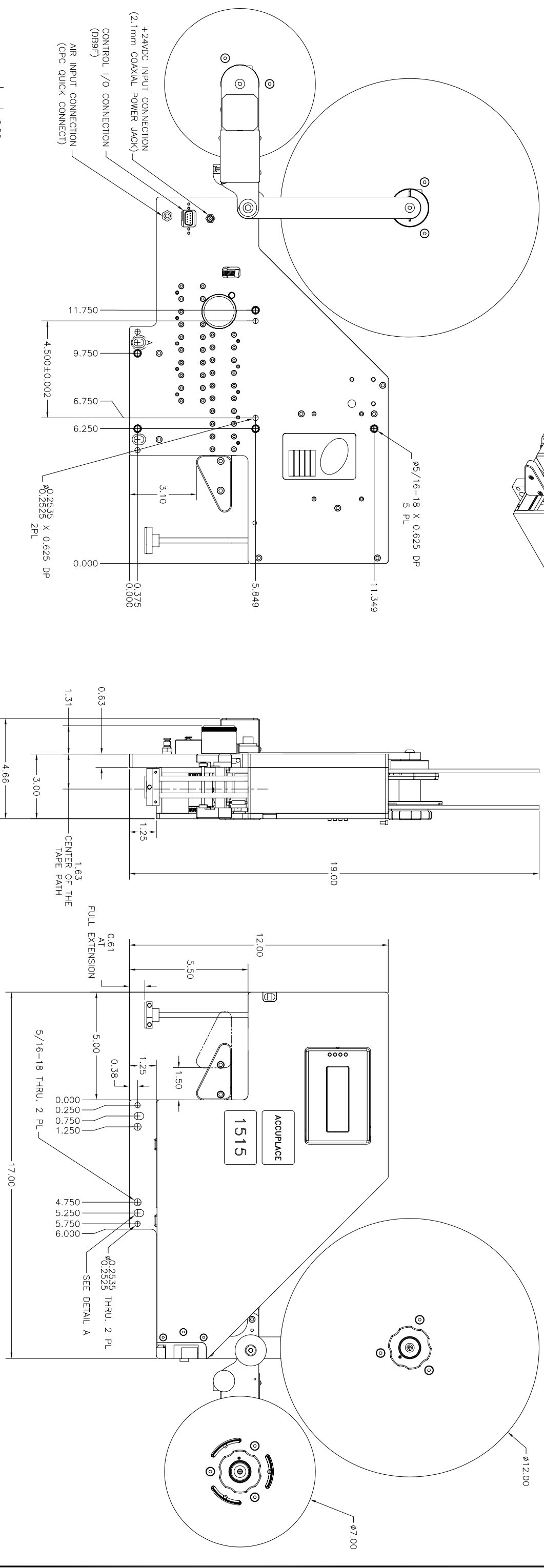
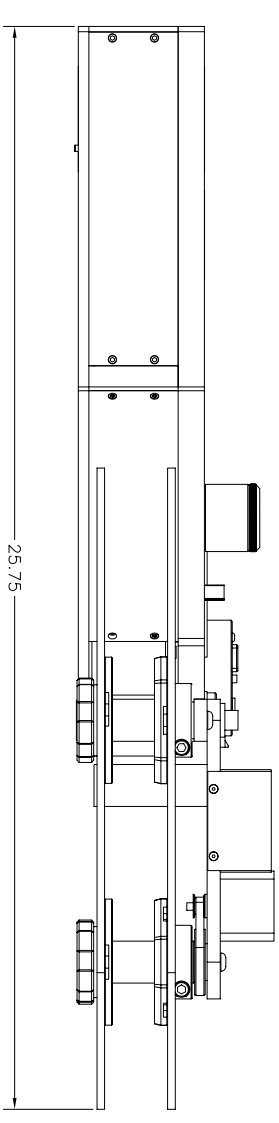
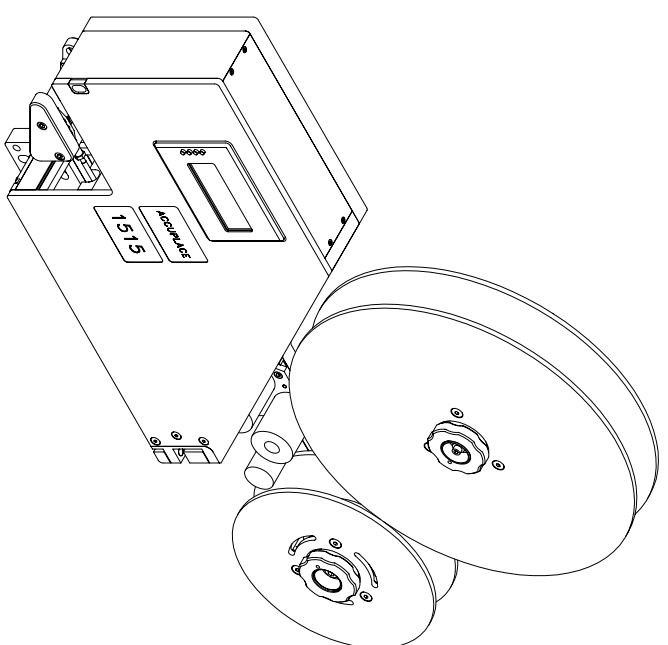


REV.	NOTES	DATE	APPROVAL
A	INITIAL RELEASE		



DESCRIPTION:		PART NO:	
AccuPlace 1515 with Rewind Specification Drawing			
USED ON:	QTY.	FINISH:	
SHEET 1 OF 1		N/A	
DRAWN BY:		DATE	TOLERANCES
Fredy Molina		04/15/03	UNLESS OTHERWISE SPECIFIED
DESIGNED BY:		DATE	
Fredy Molina		04/15/03	X.XX ±0.010
APPROVED BY:		DATE	X.XXX ±0.005
			X.XXXX ±0.0005
DO NOT SCALE DRAWING		HOLE DIA.	+ 0.005
		ANGULAR	± 0.3°

THIRD ANGLE PROJECTION

UNITS: INCHES

COMMERCIAL-ROBERTARY

THE INFORMATION IN THIS DOCUMENT IS PROPRIETARY TO AUTOMATIC MANUFACTURING SYSTEMS INC. AND SHALL NOT BE USED OR DISCLOSED IN WHOLE OR IN PART WITHOUT THE WRITTEN CONSENT OF AUTOMATIC MANUFACTURING SYSTEMS INC.

