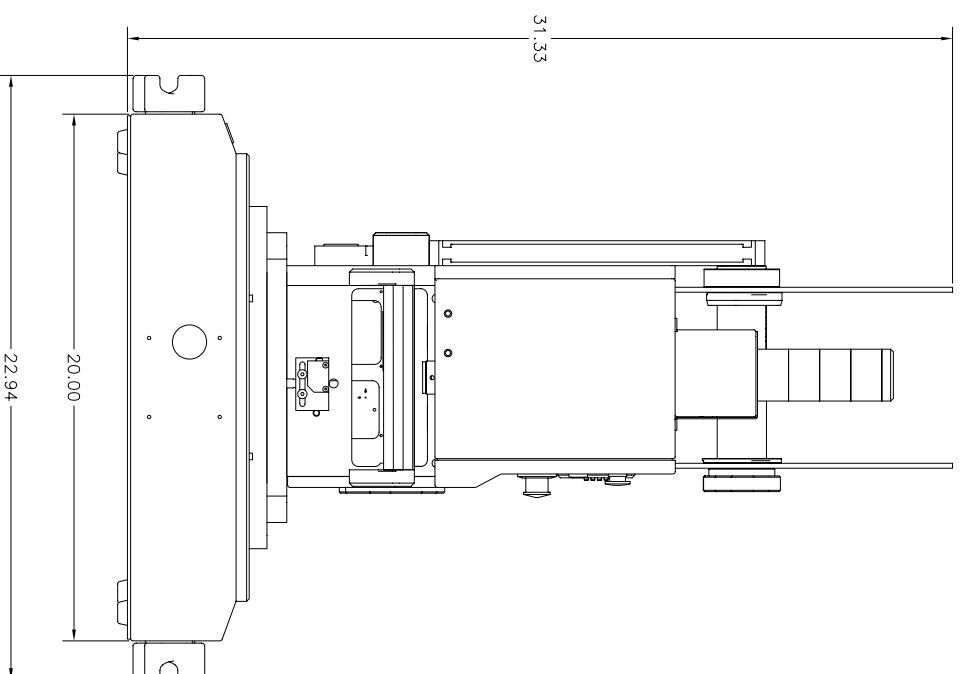
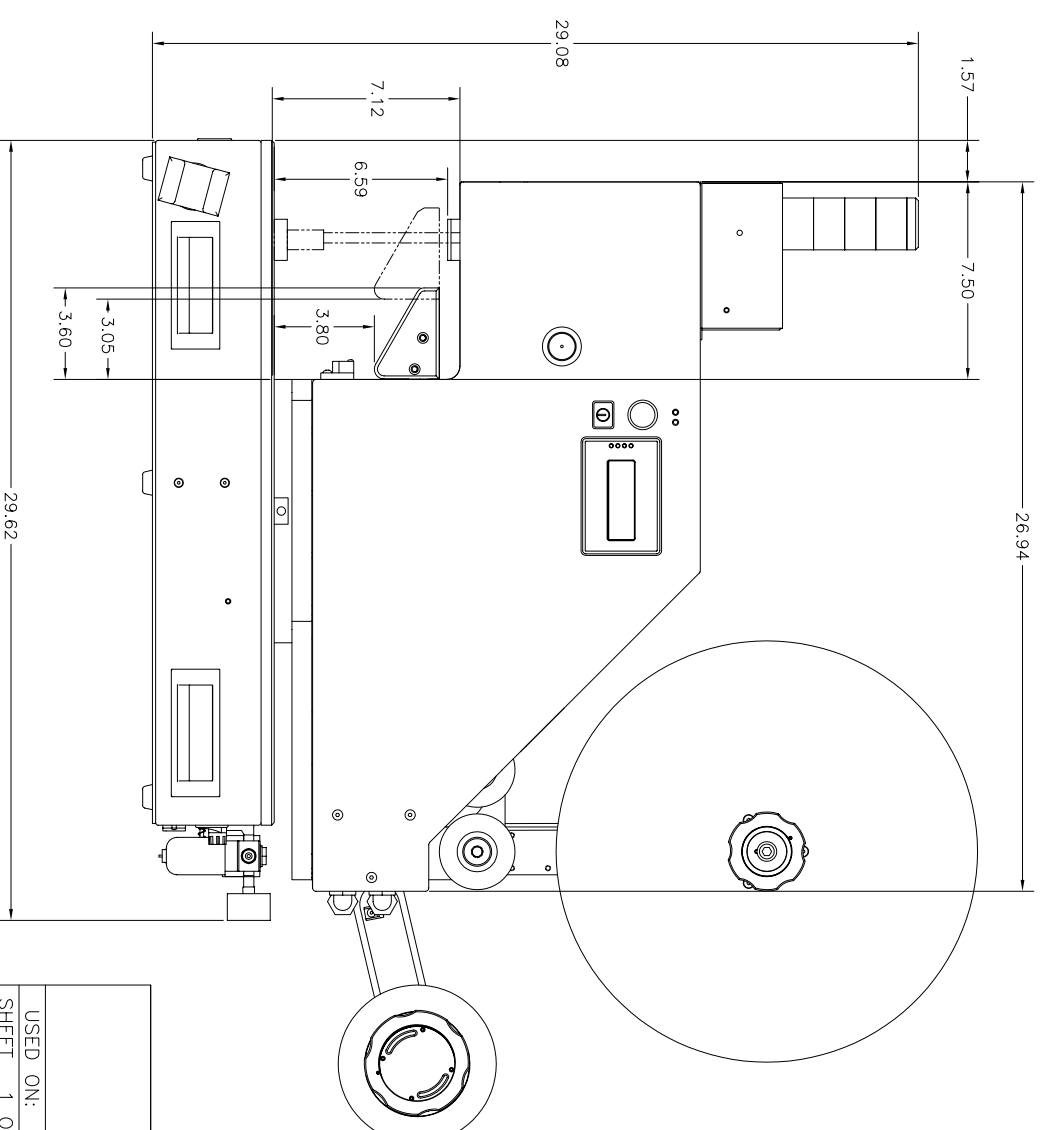
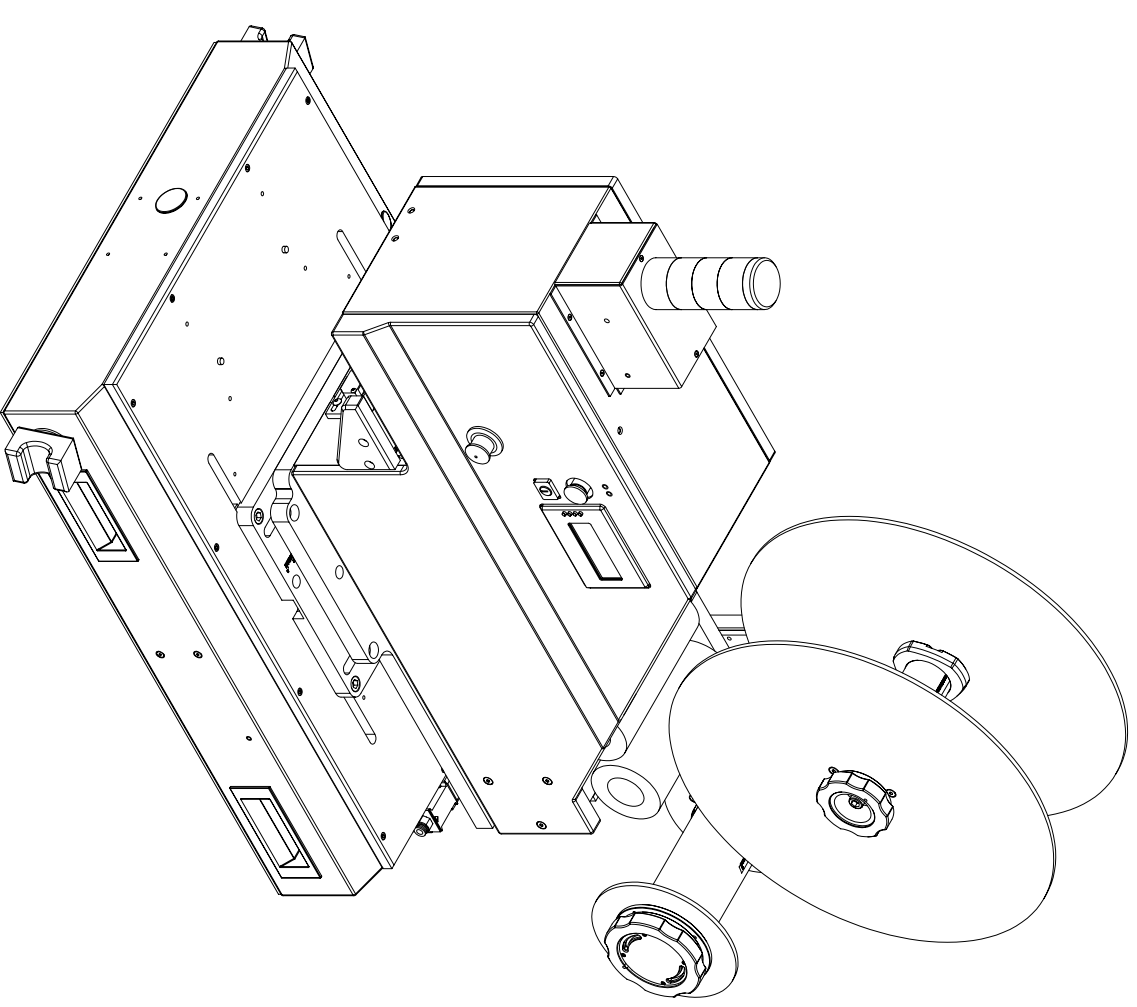
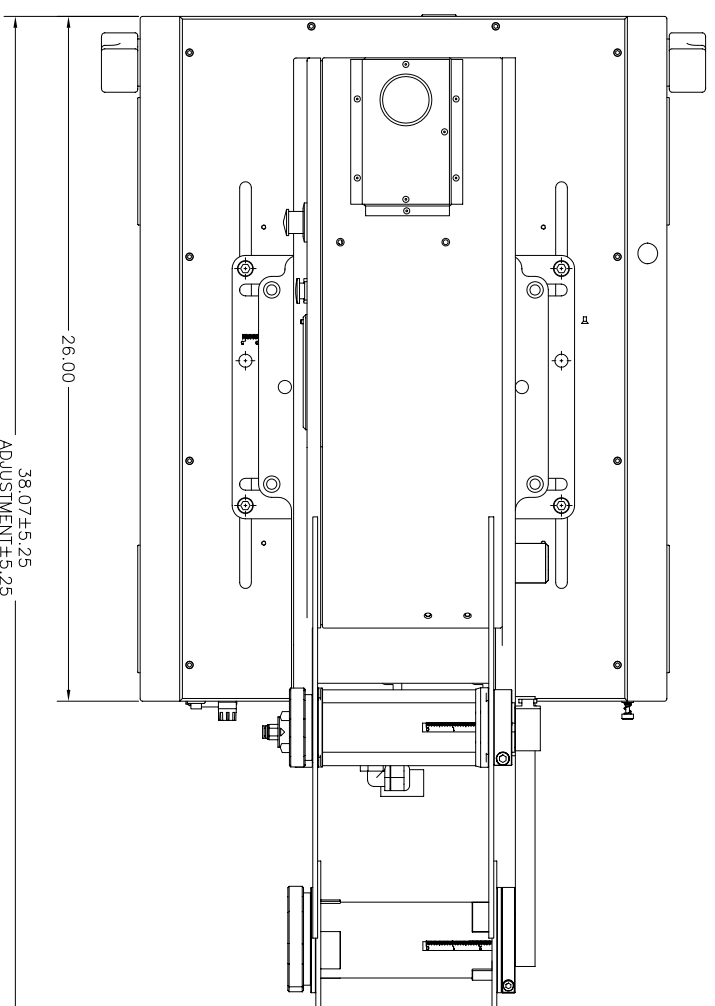


REV.	NOTES	DATE	APPROVAL
A	INITIAL RELEASE		



DESCRIPTION: AccuPlace 3065 Option 1		PART NO:	
MATERIAL: N/A	FINISH: N/A	THIRD ANGLE PROJECTION	
USED ON: SHEET 1 OF 1	QTY. 1		

DRAWN BY: FREDDY MOLINA	DATE 12/02/03	TOLERANCES UNLESS OTHERWISE SPECIFIED	UNITS: INCHES
DESIGNED BY: FREDDY MOLINA	DATE 12/02/03	±0.010 ±0.005 ±0.0005	<small> COMMERCIAL PROPRIETARY THE INFORMATION IN THIS DOCUMENT IS PROPRIETARY TO AUTOMATIC MANUFACTURING SYSTEMS INC. AND SHALL NOT BE USED OR DISCUSSED IN WHOLE OR IN PART WITHOUT THE WRITTEN CONSENT OF AUTOMATIC MANUFACTURING SYSTEMS INC. </small>
APPROVED BY:	DATE	HOLE DIA. ± 0.005 ANGULAR ± 0.3°	
DO NOT SCALE DRAWING			

0.02 BREAK ON ALL SHARP EDGES UNLESS OTHERWISE SPECIFIED