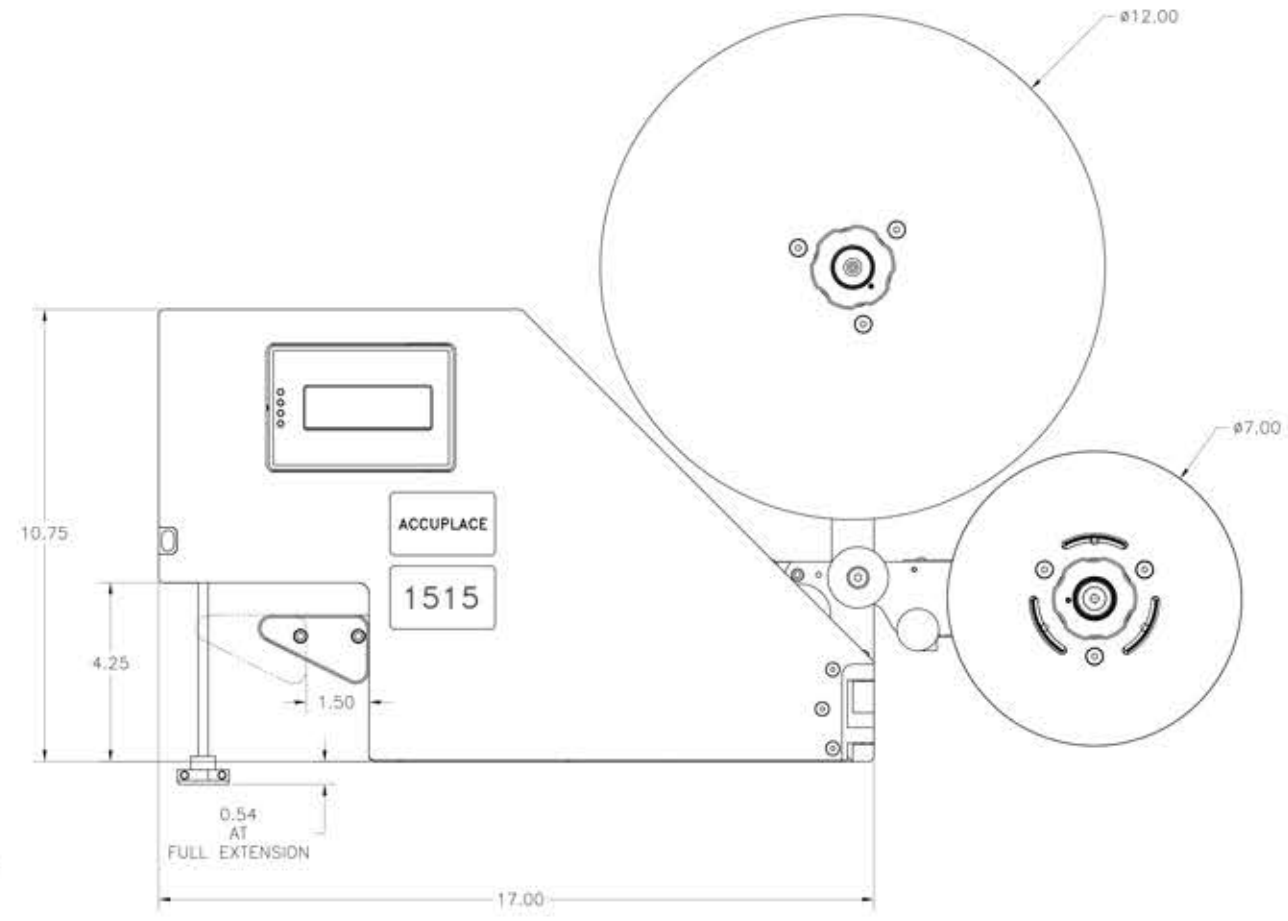
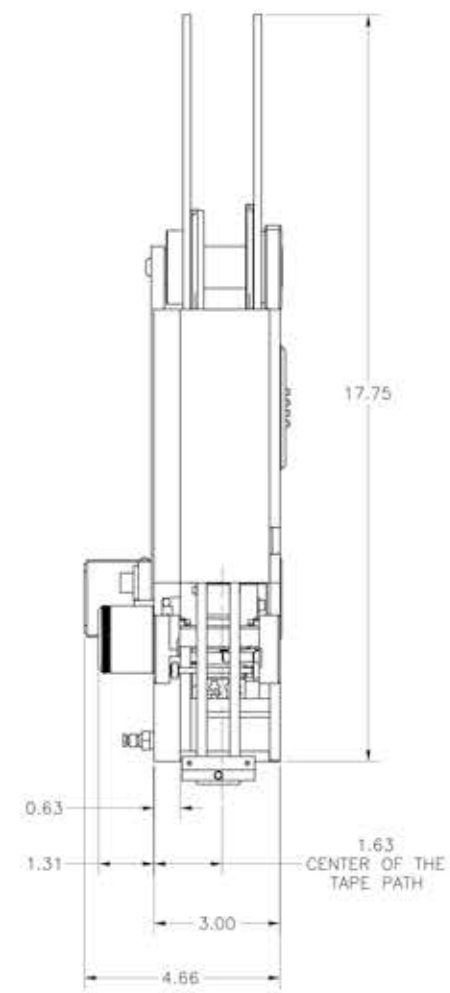
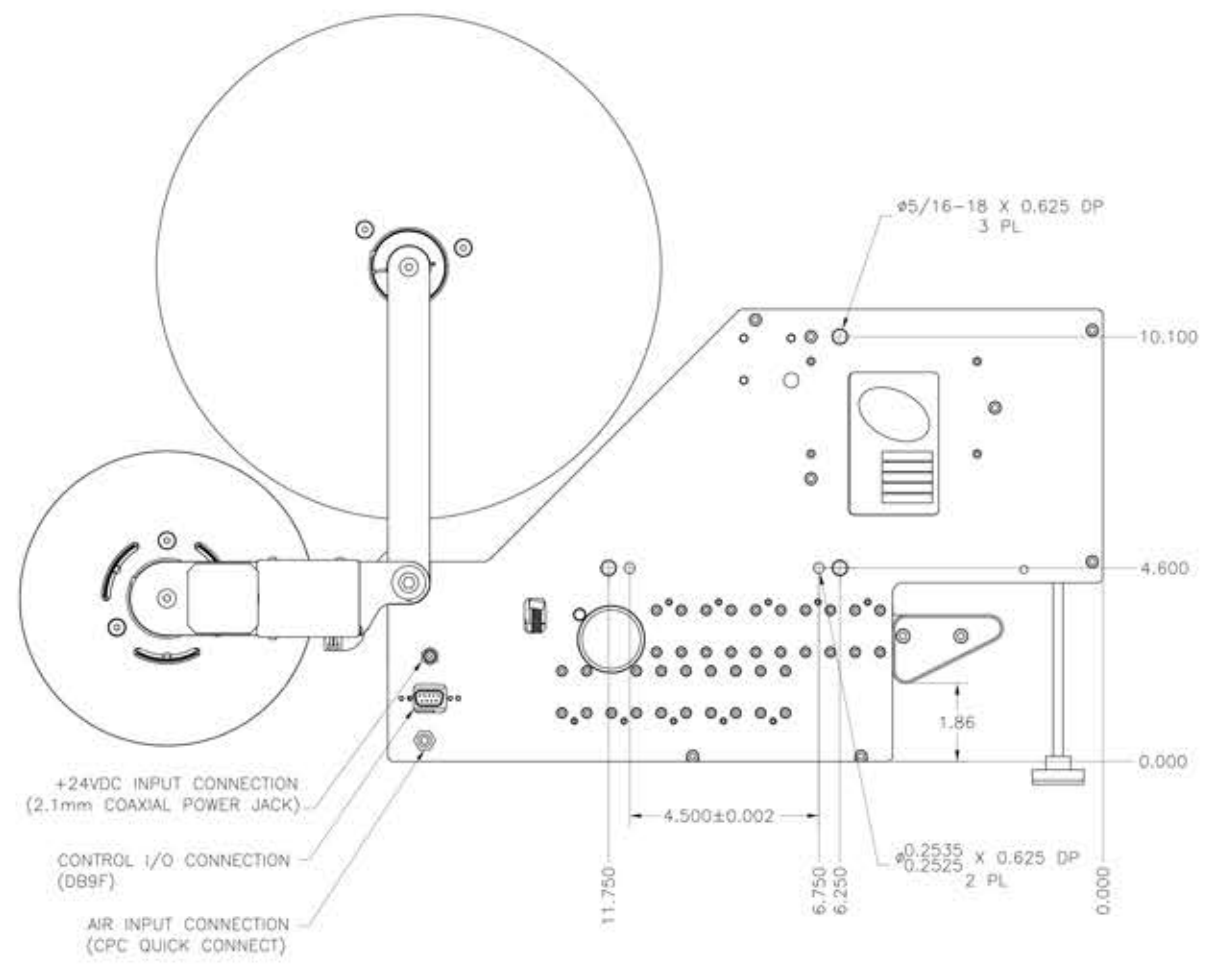
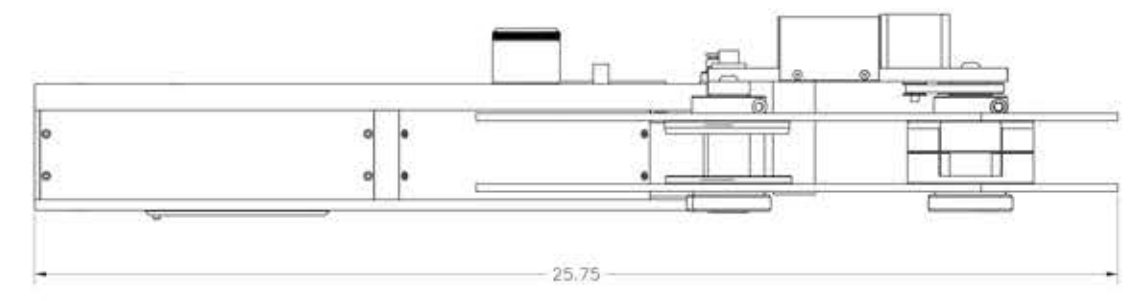
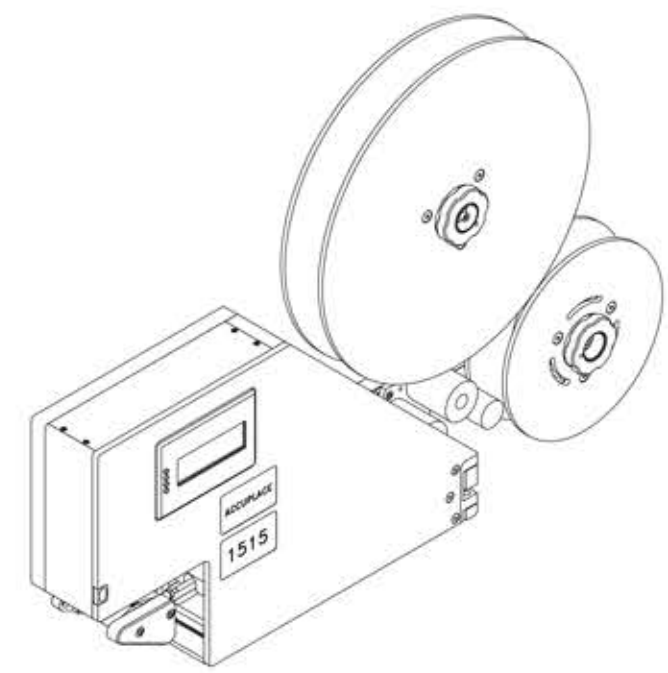


REV.	NOTES	DATE	APPROVAL
A	INITIAL RELEASE		



USED ON:		DESCRIPTION:		PART NO:	
SHEET 1 OF 1		AccuPlace 1515 Flangeless with Rewind Specification Drawing			
MATERIAL: N/A		FINISH: N/A		THIRD ANGLE PROJECTION	
DRAWN BY: Freddy Molina		DATE: 04/15/03			
DESIGNED BY: Freddy Molina		DATE: 04/15/03			
APPROVED BY:		DATE:		TOLERANCES UNLESS OTHERWISE SPECIFIED X.XX ±0.010 X.XXX ±0.005 X.XXXX ±0.0005	
DO NOT SCALE DRAWING				HOLE DIA. + 0.005 ANGULAR ± 0.3°	
UNITS: INCHES <small>CONFIDENTIAL-PROPRIETARY THE INFORMATION IN THIS DOCUMENT IS PROPRIETARY TO AUTOMATIC MANUFACTURING SYSTEMS INC. AND SHALL NOT BE USED OR DISCUSSED IN WHOLE OR IN PART WITHOUT THE WRITTEN CONSENT OF AUTOMATIC MANUFACTURING SYSTEMS INC.</small>					