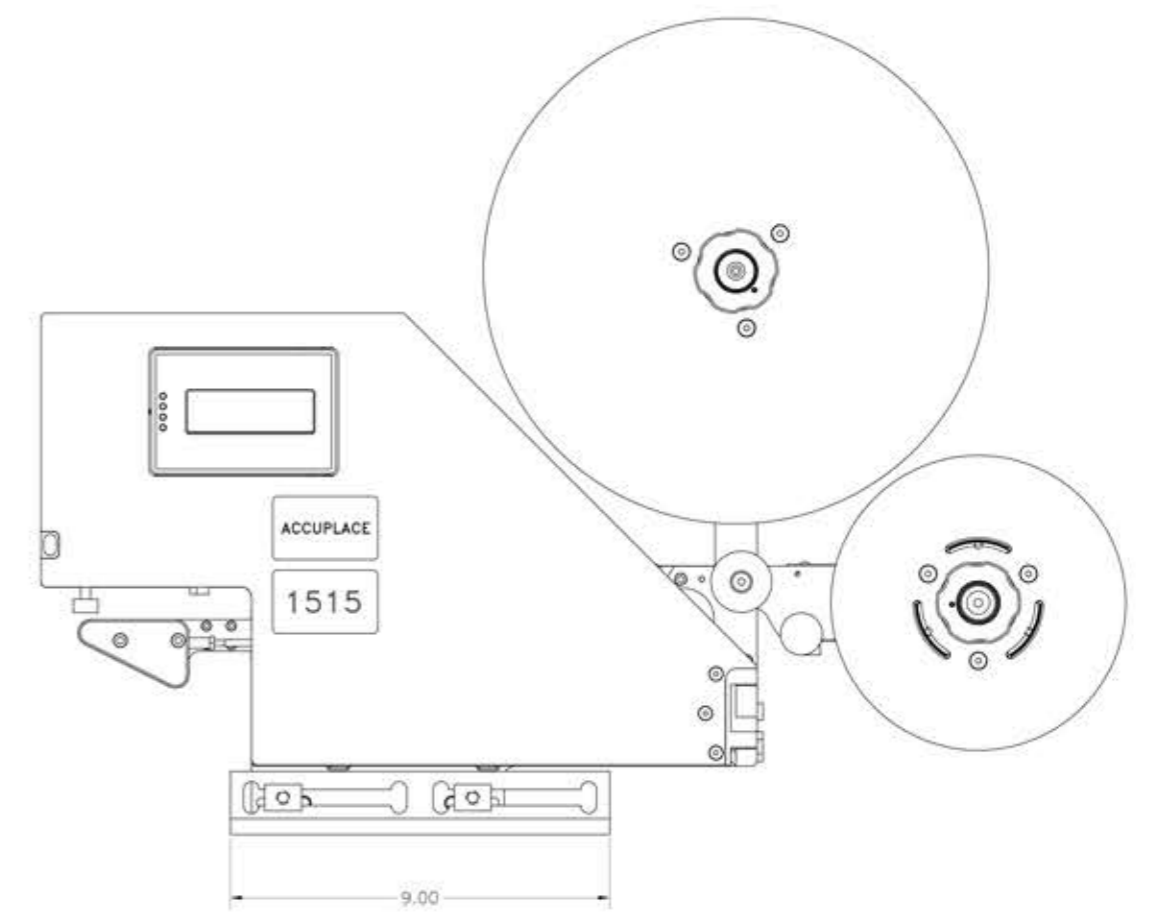
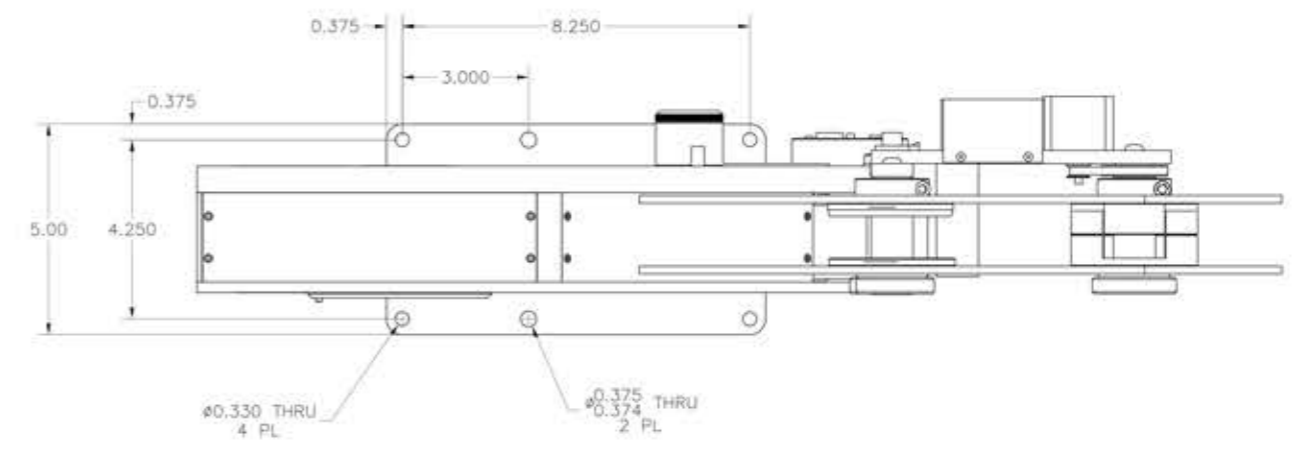
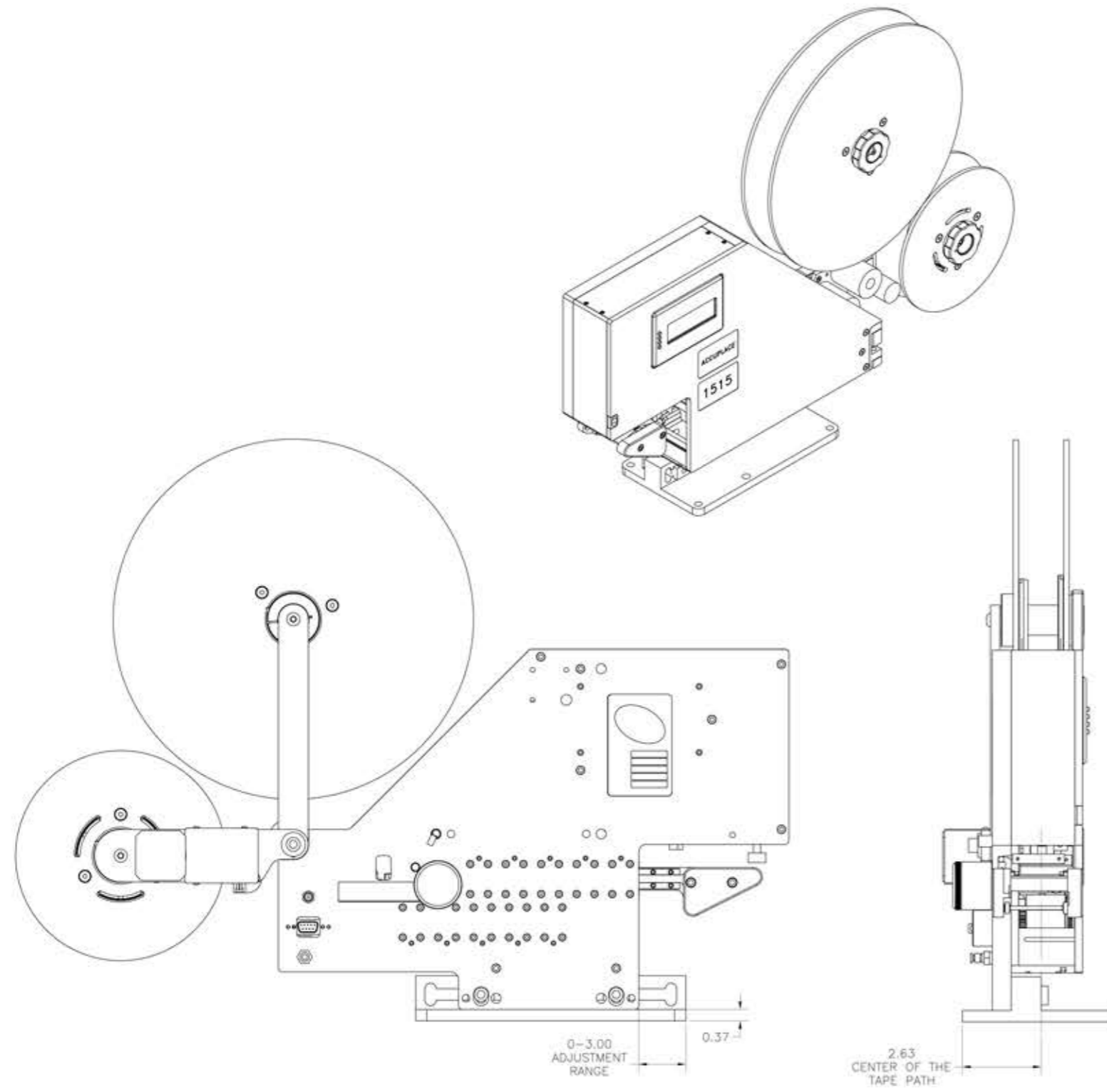


REV.	NOTES	DATE	APPROVAL
A	INITIAL RELEASE		



USED ON: QTY. SHEET 1 OF 1		DESCRIPTION: AccuPlace 1515 with Rewind and Mounting Foot		PART NO:	
MATERIAL: N/A		FINISH: N/A		THIRD ANGLE PROJECTION	
DRAWN BY: Freddy Molina		DATE: 05/01/03			
DESIGNED BY: Freddy Molina		DATE: 05/01/03			
APPROVED BY:		DATE:		UNITS: INCHES	
DO NOT SCALE DRAWING		TOLERANCES UNLESS OTHERWISE SPECIFIED		<small>CONFIDENTIAL-PROPRIETARY</small> THE INFORMATION IN THIS DOCUMENT IS PROPRIETARY TO AUTOMATIC MANUFACTURING SYSTEMS INC. AND SHALL NOT BE USED OR DISCUSSED IN WHOLE OR IN PART WITHOUT THE WRITTEN CONSENT OF AUTOMATIC MANUFACTURING SYSTEMS INC.	
		HOLE DIA. ± 0.005			
		ANGULAR ± 0.3°			