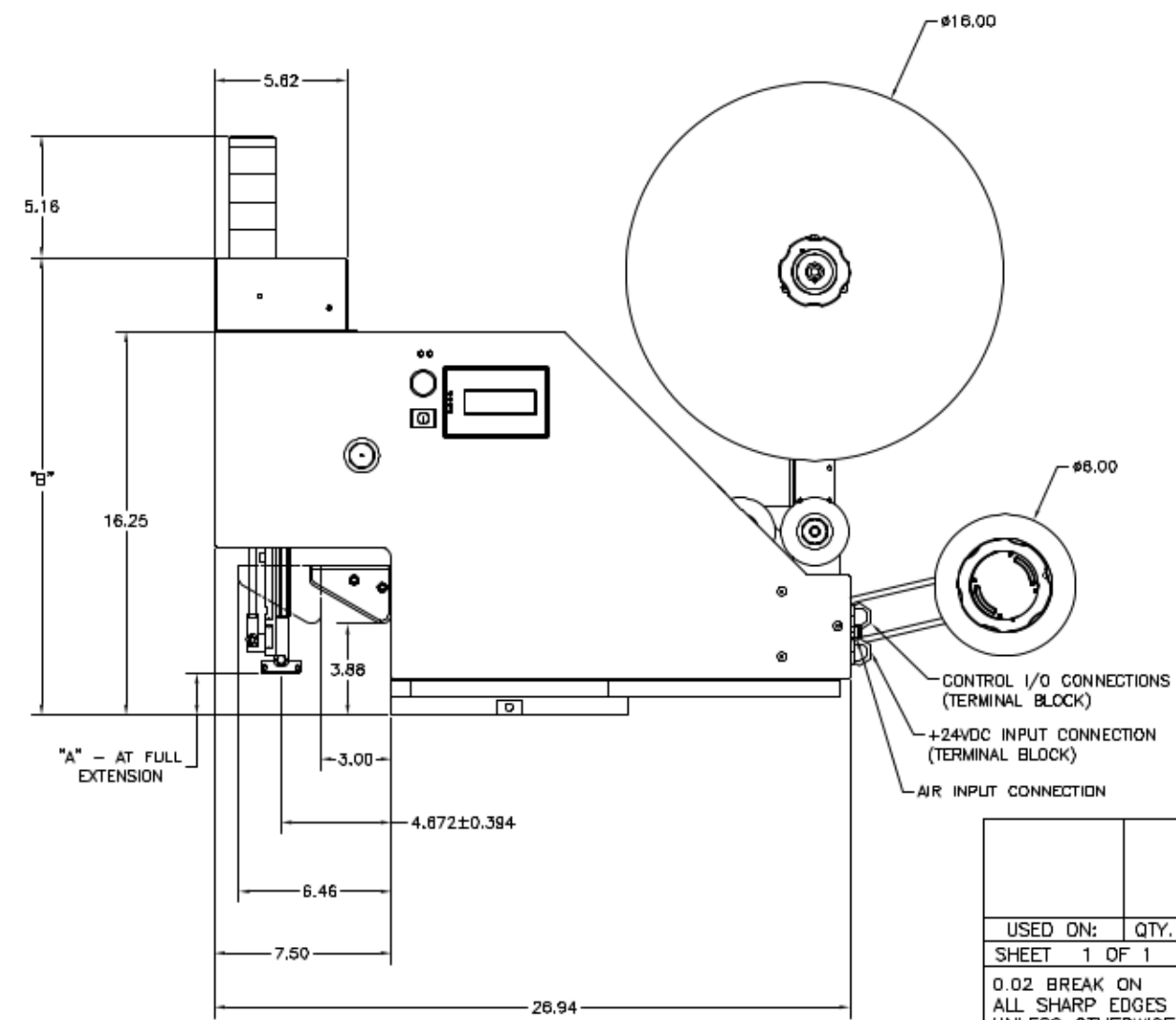
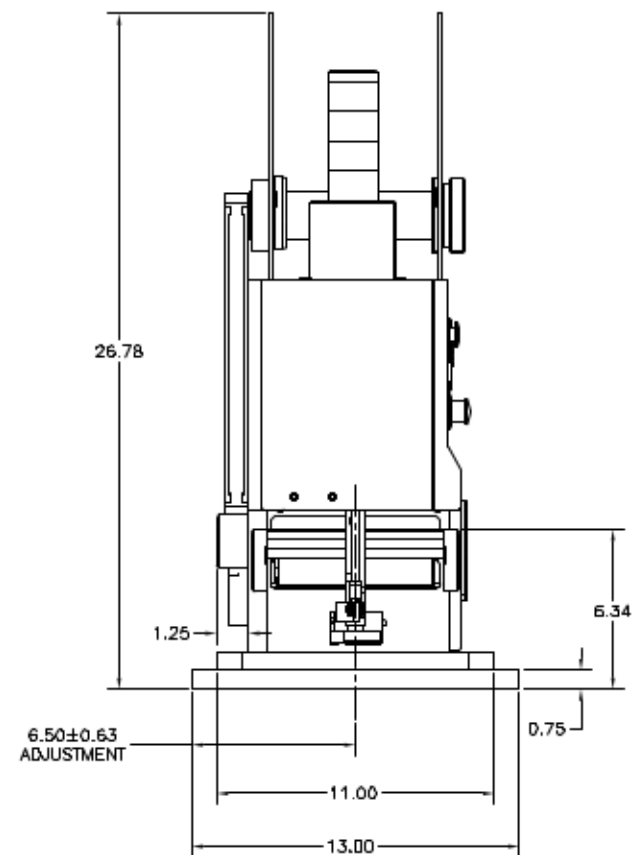
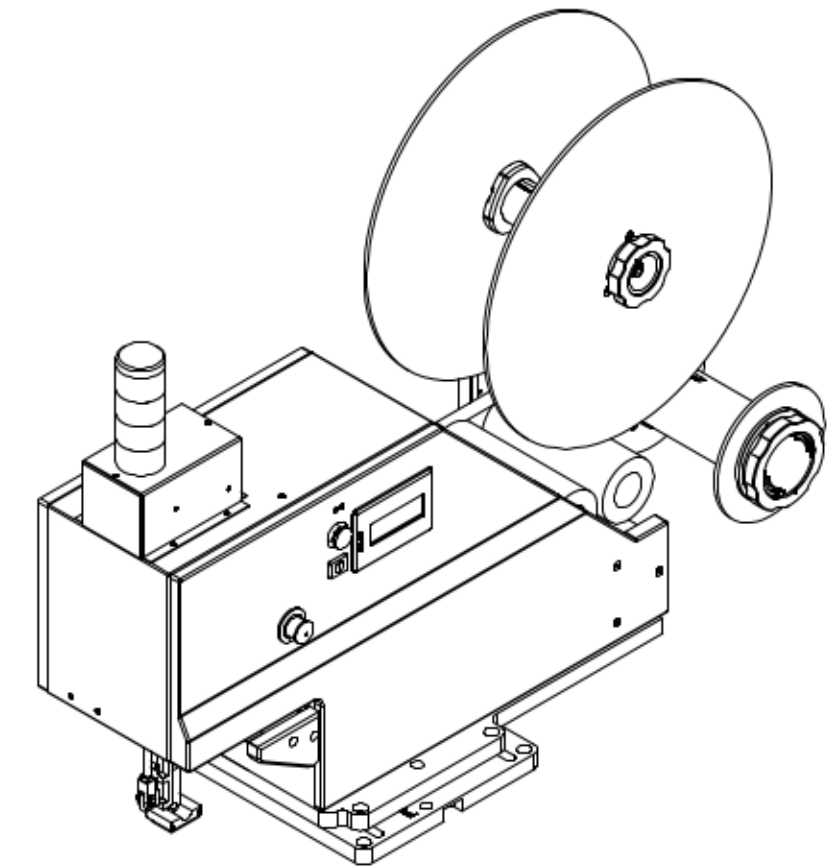
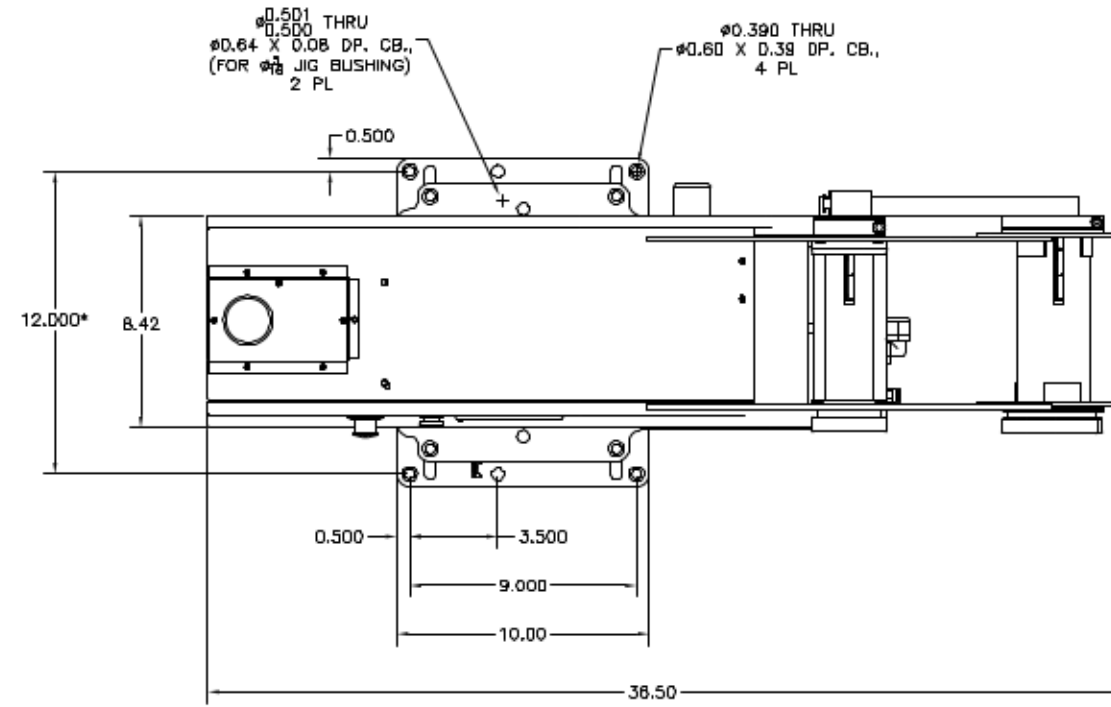




REV.	NOTES	DATE	APPROVAL
A	INITIAL RELEASE		



NOTES:
 -SEE TABLE FOR STROKE DIMENSION DETAILS.
 -*LOCATING HOLE POSITIONS HELD TO ±0.001

STROKE	DIMENSION A	DIMENSION B
5 INCH	(-1.88)	19.37
8 INCH	1.12	26.87
12 INCH	5.12	26.87
20 INCH	13.12	38.87

USED ON: QTY. SHEET 1 OF 1		DESCRIPTION: AccuPlace 3065 with Rewind and Status Light Specification Drawing		PART NO:									
MATERIAL: N/A		FINISH: N/A		THIRD ANGLE PROJECTION									
DRAWN BY: Freddy Molina		DATE: 04/15/03		 UNITS: INCHES									
DESIGNED BY: Freddy Molina		DATE: 04/15/03											
DO NOT SCALE DRAWING		APPROVED BY: DATE:		<table border="1"> <thead> <tr> <th colspan="2">TOLERANCES UNLESS OTHERWISE SPECIFIED</th> </tr> </thead> <tbody> <tr> <td>X.XX</td> <td>±0.010</td> </tr> <tr> <td>X.XXX</td> <td>±0.005</td> </tr> <tr> <td>X.XXXX</td> <td>±0.0005</td> </tr> </tbody> </table>		TOLERANCES UNLESS OTHERWISE SPECIFIED		X.XX	±0.010	X.XXX	±0.005	X.XXXX	±0.0005
TOLERANCES UNLESS OTHERWISE SPECIFIED													
X.XX	±0.010												
X.XXX	±0.005												
X.XXXX	±0.0005												
		HOLE DIA. + 0.005											
		ANGULAR ± 0.3°		<small>CONVENTIONAL PROJECTION</small> <small>THE INFORMATION IN THIS DOCUMENT IS PROPRIETARY TO AUTOMATIC MANUFACTURING SYSTEMS INC. AND SHALL NOT BE USED OR DISCLOSED IN WHOLE OR IN PART WITHOUT THE WRITTEN CONSENT OF AUTOMATIC MANUFACTURING SYSTEMS INC.</small>									