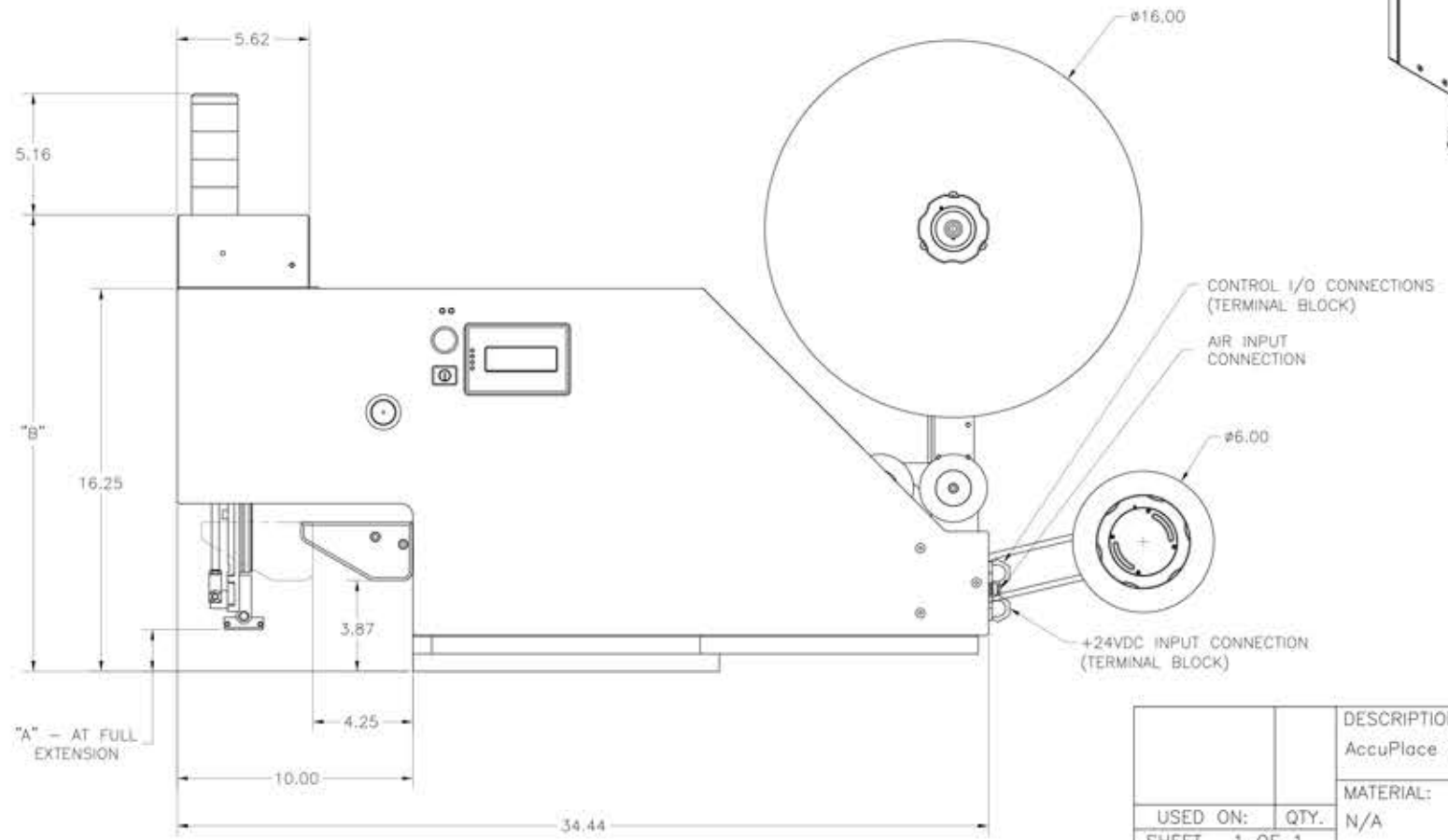
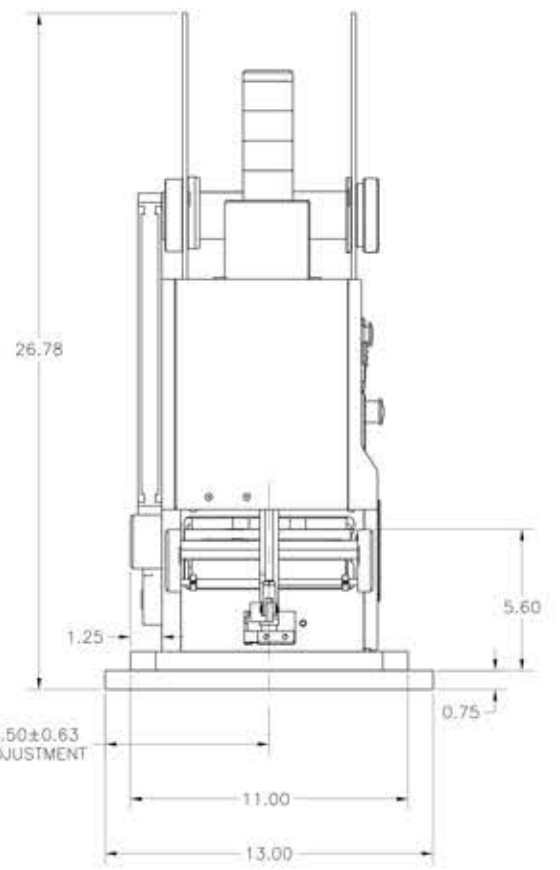
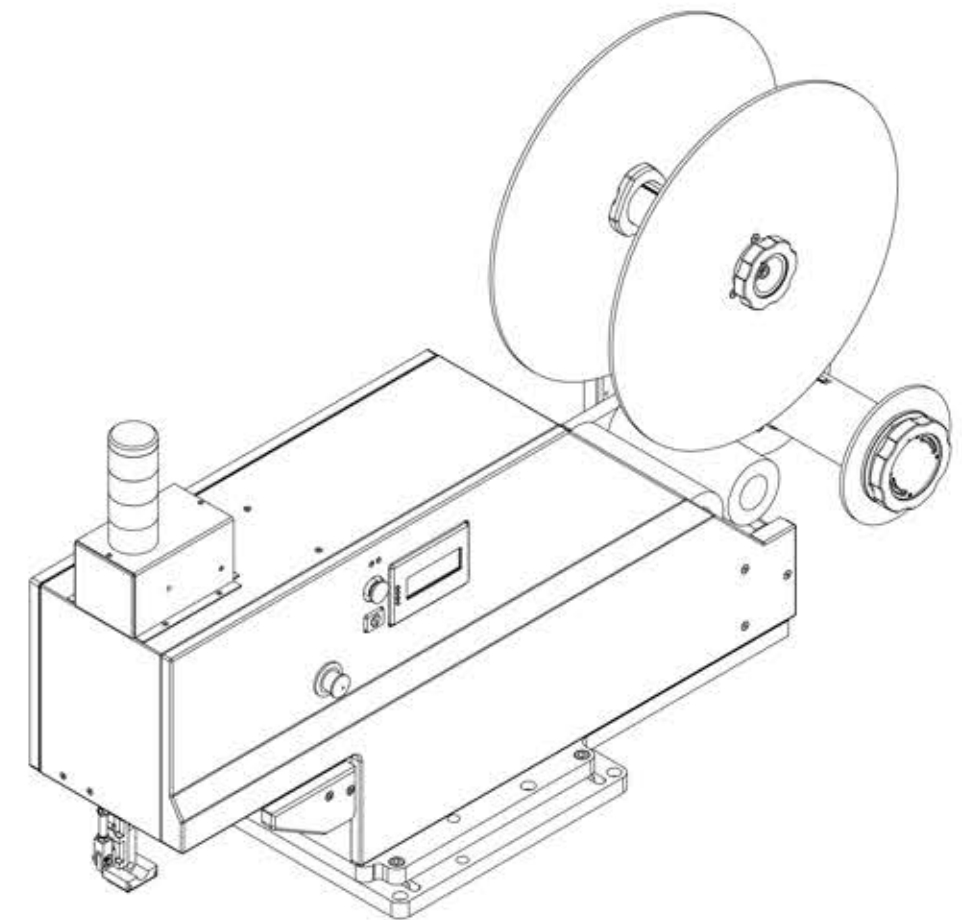
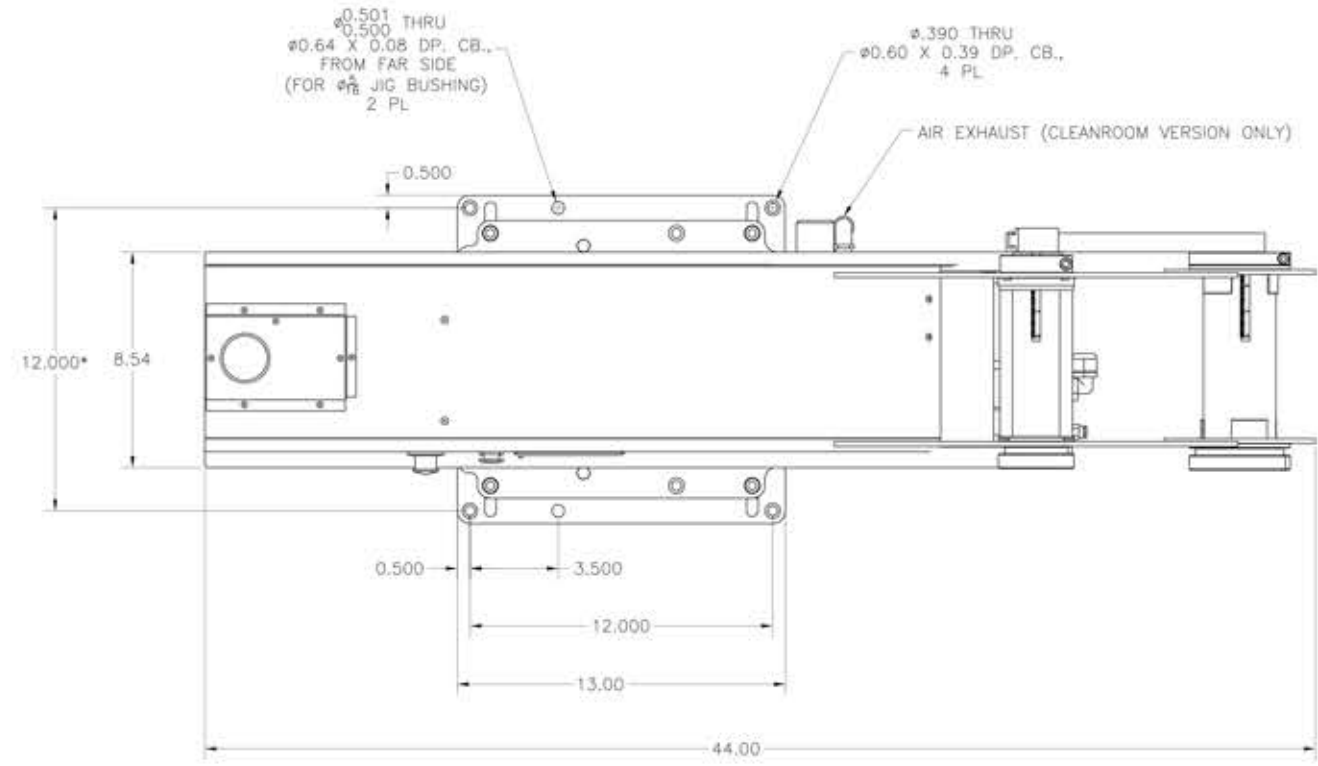


REV.	NOTES	DATE	APPROVAL
A	INITIAL RELEASE		



NOTES:
 -SEE TABLE FOR STROKE DIMENSION DETAILS.
 -*LOCATING HOLE POSITIONS HELD TO ±0.001

STROKE	DIMENSION A	DIMENSION B
5 INCH	(-1.88)	19.37
8 INCH	1.12	26.87
12 INCH	5.12	26.87
20 INCH	13.12	38.87

		DESCRIPTION: AccuPlace 4065 with Rewind and Status Light Specification Drawing		PART NO:	
USED ON: QTY.		MATERIAL: N/A		FINISH: N/A	
SHEET 1 OF 1		DRAWN BY: Freddy Molina		DATE: 04/18/03	
0.02 BREAK ON ALL SHARP EDGES UNLESS OTHERWISE SPECIFIED		DESIGNED BY: Freddy Molina		DATE: 04/18/03	
DO NOT SCALE DRAWING		APPROVED BY:		DATE:	
		TOLERANCES UNLESS OTHERWISE SPECIFIED		THIRD ANGLE PROJECTION	
		X.XX ±0.010		UNITS: INCHES	
		X.XXX ±0.005		CONFIDENTIAL-PROPRIETARY	
		X.XXXX ±0.0005		THE INFORMATION IN THIS DOCUMENT IS PROPRIETARY TO AUTOMATIC MANUFACTURING SYSTEMS INC., AND SHALL NOT BE USED OR DISCUSSED IN WHOLE OR IN PART WITHOUT THE WRITTEN CONSENT OF AUTOMATIC MANUFACTURING SYSTEMS INC.	
		HOLE DIA. + 0.005		ANGULAR ± 0.3°	

